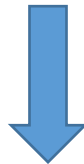


VMware VCP7-DTM Certification 2V0-751 Exam



- Vendor: VMware
- Exam Code: 2V0-751
- Exam Name: VMware Certified Professional 7 - Desktop and Mobility Exam

Get Complete Version Exam 2V0-751 Dumps with VCE and PDF Here



<https://www.passleader.com/2v0-751.html>

QUESTION 1

An administrator needs to provide a virtual desktop pool with 3D graphics capabilities to support a 3D modeling application for a group of users. The application requires that the native drivers for the support hardware 3D accelerator be installed within the virtual desktops. Which two 3D graphics modes would support this application? (Choose two.)

- A. NVIDIA vGPU
- B. Virtual Dedicated Graphics Acceleration (vDGA)
- C. VMware Software GPU
- D. Virtual Shared Graphics Acceleration (vSGA)

Answer: AC

Explanation:

<https://www.vmware.com/content/dam/digitalmarketing/vmware/en/pdf/techpaper/vmware-horizon-view-graphics-acceleration-deployment.pdf>

QUESTION 2

Which statement is a restriction associated with the use of instant clones?

- A. vMotion is not available.
- B. 3D rendering is not available.
- C. App Volumes is not compatible.
- D. Transparent Page Sharing is not compatible.

Answer: A

Explanation:

<https://www.vmware.com/content/dam/digitalmarketing/vmware/en/pdf/techpaper/vmware-horizon-view-instant-clone-technology.pdf>

QUESTION 3

View Composer supports which database version?

- A. vPostgres
- B. Microsoft SQL Server 2008 SP1
- C. Oracle 11g
- D. Microsoft SQL Server 2012

Answer: D

Explanation:

<https://pubs.vmware.com/horizon-view-60/index.jsp?topic=%2Fcom.vmware.horizon-view.installation.doc%2FGUID-5B2266B8-EA3C-4F49-BABB-2D0B91DE6C1D.html>

QUESTION 4

What is the benefit of using the "Browse Local Profile" Profile Browsing feature in the User Environment Manager to adjust the Import/Export configuration for an application DirectFlex?

- A. It allows backup of the user profile.
- B. The Microsoft Windows users profile configuration can be changed.
- C. The registry of filesystem paths do not have to be typed in the editor.
- D. The Import/Export Config can be deleted from a user profile.

Answer: A

QUESTION 5

An Administrator has started a push-image operation at the start of the work day while clone creation is in progress. The security team has discovered an issue with the new image being pushed out. It has been requested to cancel the push-image operation immediately; however, clones that have the new image remain in the pool and the pool now has a mix of clones. What must the administrator do to ensure that all the clones in the pool have the same image?

- A. Notify all users to log out of their current session and log back in.
- B. Stop the push image operation and recompose the image.
- C. Remove all the clones. View recreates the clones with the same image.
- D. Click Start > Run, type services.msc, and click OK.
From the list of services, right-click the VMware View Connection Server or VMware View Security Server service and select Restart.

Answer: D

QUESTION 6

Which choice is used to delegate the administration of specific machines, desktop pools, or farms to different administrators?

- A. Access Groups
- B. Instant Clone Domain Admin
- C. Global Entitlements
- D. Folders

Answer: A

Explanation:

<https://pubs.vmware.com/horizon-7-view/index.jsp?topic=%2Fcom.vmware.horizon-view.administration.doc%2FGUID-E89B0429-2DE4-4CF8-845B-F046307216AE.html>

QUESTION 7

What are two minimum requirements for App Volumes 2.x Manager? (Choose two.)

- A. 2 vCPU
- B. .Net Framework 3.5
- C. 4 vCPU
- D. 8GB RAM

Answer: AB

Explanation:

https://kb.vmware.com/selfservice/microsites/search.do?language=en_US&cmd=displayKC&externalId=2124876

QUESTION 8

Which three Layer Assignment progress states are valid in VMware Mirage? (Choose three.)

- A. Approved
- B. Uploading
- C. Downloading
- D. Throttled
- E. Pending

Answer: CDE

Explanation:

<http://pubs.vmware.com/horizonmirage-43/index.jsp?topic=%2Fcom.vmware.horizonmirage.admin.doc%2FGUID-1AA7EC50-11A3-4189-A9B9-6BBA0D009191.html>

QUESTION 9

During an installation of View Connection Server, the Install HTML Access option setting is not being displayed in the installer. What is the probable cause?

- A. The Configure Windows Firewall automatically option is selected.
- B. IPv6 is selected as Internet Protocol (IP).
- C. FIPS mode is disabled.
- D. IPv4 is selected as Internet Protocol (IP).

Answer: B

Explanation:

<https://pubs.vmware.com/horizon-7-view/index.jsp?topic=%2Fcom.vmware.horizon-view.installation.doc%2FGUID-9F93A59F-C35F-4388-B3D6-CE4F50D8BAFD.html> (procedure, 8th point)

QUESTION 10

When an existing AppStack is updated, which two actions must be performed? (Choose two.)

- A. A VMFS snapshot of the existing AppStack is made.
- B. The original appstack is deleted.
- C. The AppStack is provisioned to a virtual machine.
- D. The existing AppStack is cloned to a new .vmdk.

Answer: CD

QUESTION 11

Recomposing a desktop pool fails with the error message:

Desktop Composer Fault: Virtual Machine with Input Specification already exists

Which command can be used to help troubleshoot this issue?

- A. ViewDbChk --scanMachines
- B. vdmadmin -S -r
- C. vdmadmin -X -resolve
- D. ViewDbChk --disableDesktop

Answer: A

Explanation:

https://kb.vmware.com/selfservice/search.do?cmd=displayKC&docType=kc&docTypeID=DT_KB_1_1&externalId=2118050

QUESTION 12

When pairing a security server with a connection server that is behind a firewall that uses network address translation, it is recommended that IPsec be used. Which protocols are used and need to be allowed between the paired servers?

- A. ISAKMP and HTTPS
- B. PCoIP and HTTPS
- C. HTTP and HTTPS
- D. ISAKMP and ESP

Answer: A

QUESTION 13

While investigating slow performance, an administrator discovered that none of the desktops in the Microsoft Windows 8 pool is reporting metrics to vRealize Operations for VMware Horizon. What action would enable the Microsoft Windows 8 pool to report metrics to vRealize Operations Manager for Horizon?

- A. Verify that the Microsoft Windows 8 desktop pool has been included in the vRealize Operations for Horizon Broker Agent configuration.
- B. Add the vRealize Operations Manager for Horizon security tag to the Microsoft Windows 8 desktop pool virtual machines.
- C. Add the users of the Microsoft Windows 8 desktops pool to the vRealize Operations Manager group.
- D. Enable vRealize Operations Manager for Horizon in the Microsoft Windows 8 pool settings in the View Administrator console.

Answer: A

QUESTION 14

Which PowerCLI Execution Policy is required, at a minimum, to run scripts in the VMware Mirage PowerCLI interface?

- A. Unrestricted
- B. AllSigned
- C. RemoteSigned
- D. Undefined

Answer: D

Explanation:

<https://blogs.vmware.com/PowerCLI/2011/06/back-to-basics-part-1-installing-powercli.html>

QUESTION 15

Which statement is true about assigning an AppStack for users of an RDS pool?

- A. AppStacks are incompatible with RDS pools.
- B. Both User and Machine assignments are compatible.
- C. User assignment is compatible.
- D. Machine assignment is compatible.

Answer: D

Explanation:

<https://www.vmware.com/content/dam/digitalmarketing/vmware/en/pdf/techpaper/vmware-horizon-7-apps-published-applications-desktops-best-practices.pdf> (p.18)

QUESTION 16

Which two operating systems support the View Connection Server? (Choose two.)

- A. Windows Server 2012 R2
- B. Windows Server 2008 R2 SP1
- C. Windows Server 2008 R2
- D. Windows Server 2012

Answer: BC

Explanation:

<https://pubs.vmware.com/view-50/index.jsp?topic=%2Fcom.vmware.view.installation.doc%2FGUID-30AA88CF-8CDF-42E5-97D4-D75B2171434B.html>

QUESTION 17

Which two best practices must be followed when deploying View on VMware VSAN? (Choose two.)

- A. Enable View Storage Acceleration.
- B. Increase the amount of smaller SAS disks used for the caching tier.
- C. Increase the amount of smaller SAS disks used the capacity tier.
- D. Turn on VAAI.

Answer: AB

QUESTION 18

In order to expand a Mirage installation from the current 4,000 endpoints to at least 6,000 endpoints, which component must be upgraded?

- A. MongoDB File Database Server
- B. Mirage Management Server
- C. Mirage Web Management Server
- D. SQL 2008 Express R2 Server

Answer: B

QUESTION 19

Before configuring SAML authentication to work with True Single Sign-On, which two prerequisites must be met? (Choose two.)

- A. Configure SAML authenticator to use self-signed certificates.
- B. The root certificate for the SAML server is installed.
- C. Install and configure VMware Identity Manager.
- D. Single sign-on is disabled as a global setting.

Answer: BC

Explanation:

<https://pubs.vmware.com/horizon-7-view/index.jsp?topic=%2Fcom.vmware.horizon-view.administration.doc%2FGUID-88491AB1-46EF-482C-878F-DD35E03E6AD7.html>

QUESTION 20

In what two ways is Enforcing Layers useful in VMware Mirage? (Choose two.)

- A. It can remove user-installed applications that corrupt system files.
- B. It can resolve problems with changes made to files and registry by users and applications.
- C. It can keep the Inventory up to date.

D. It can allow installation of additional user-installed applications.

Answer: BD

Explanation:

<https://blogs.vmware.com/euc/2014/04/vmware-horizon-mirage-web-manager-device-recovery-enforce-layers.html>

QUESTION 21

What are the two possible methods of disaster recovery for VMware Mirage endpoints? (Choose two.)

- A. Restore the recovery partition to a previous CVD snapshot on an existing device.
- B. Restore files or the entire desktop to a previous CVD snapshot on an existing device.
- C. Restore the hard drive of an existing or a replacement device.
- D. Restore the CVD snapshot to the primary and recover the files.

Answer: BC

Explanation:

<https://www.vmware.com/pdf/mirage-administrators-guide-4.pdf> (p.199)

QUESTION 22

Which are two custom setup options when installing VMware Horizon Agent on a master image? (Choose two.)

- A. Windows Media Multimedia Redirection
- B. USB Redirection
- C. VMware Horizon Instant Clone Agent
- D. Unity Touch

Answer: AB

QUESTION 23

What are three valid options for writable volumes? (Choose three.)

- A. Limit the attachment of users' writables to specific computers.
- B. Attach volume on next login or reboot.
- C. Delay writable creation for group/OU members until they log in.
- D. Attach volume immediately.
- E. Prevent user login if the writable is in use on another computer.

Answer: ACE

Explanation:

<http://pubs.vmware.com/appvolumes-210/index.jsp?topic=%2Fcom.vmware.appvolumes.user.doc%2FGUID-BF446318-00B8-4D3A-A7DE-AF21604FE3DB.html>

QUESTION 24

One of the datastores containing a manual desktop pool is running out of disk space and an administrator adds a second datastore. Which operation should the administrator perform to resolve the issue?

- A. Rebalance

- B. Recompose
- C. Storage vMotion
- D. Refresh

Answer: C

QUESTION 25

How many ESXi hosts may receive vSphere Desktop licenses if three 100-seat View Standard bundles are purchased?

- A. An unlimited number of ESXi hosts.
- B. Up to 150 dual-socket ESXi hosts.
- C. Up to three dual-socket ESXi hosts.
- D. None, Horizon Standard does not include vSphere Desktop licenses.

Answer: B

QUESTION 26

What are two valid Directory sync intervals in Identity Manager 2.x? (Choose two.)

- A. Once per month
- B. Once per week
- C. Every hour
- D. Every minute

Answer: BC

QUESTION 27

Which Database Server is supported for View Composer and for the Events Databases?

- A. Microsoft SQL Server 2008 SP4
- B. Oracle 11g Release 2
- C. Microsoft SQL Server 2014
- D. vPostgres Database

Answer: B

Explanation:

<https://pubs.vmware.com/horizon-view-60/index.jsp?topic=%2Fcom.vmware.horizon-view.installation.doc%2FGUID-5B2266B8-EA3C-4F49-BABB-2D0B91DE6C1D.html>

QUESTION 28

What is the minimum user accounts privilege requirement when installing App Volumes 2.x?

- A. Member of the Local Administrators group.
- B. Member of the Domain Users group.
- C. Member of the Domain Admins group.
- D. Member of the Local Power Users group.

Answer: A

Explanation:

<https://www.vmware.com/content/dam/digitalmarketing/vmware/en/pdf/techpaper/vmware-app-volumes-deployment-considerations.pdf>

QUESTION 29

During a new pool creation, an administrator notices that the virtual machines are stuck in the Provisioning state during cloning. What is the most effective way to correct this issue?

- A. Delete the virtual machines and clone them again.
- B. Change the snapshot on the pool to a newly-created one.
- C. Disable the pool, save the changes, then enable the pool again.
- D. Use vdmadmin 璿 to delete the stuck virtual machines.

Answer: A

QUESTION 30

Which three configuration consoles are available in the VMware Identity Manager administrator? (Choose three.)

- A. Identity Manager Admin Console
- B. Connector Services Admin
- C. Policy Management Console
- D. Application Management Console
- E. Appliance Configurator

Answer: ABE

Explanation:

<http://pubs.vmware.com/vidm-24/topic/com.vmware.ICbase/PDF/vidm-24-install.pdf>

QUESTION 31

Which two choices are VMware Mirage App Layer Capture Steps? (Choose two.)

- A. Install layer driver.
- B. Adjust the INI file with an MSI=1 value.
- C. Prepare the machine.
- D. Capture the Pre-install State.

Answer: CD

Explanation:

<http://pubs.vmware.com/horizonmirage-44/index.jsp?topic=%2Fcom.vmware.horizonmirage.admin.doc%2FGUID-A6F9D2A4-3C42-4240-B4C6-61C3C3A15CFD.html>

QUESTION 32

What is the minimum virtual machine hardware version required to use vGPU?

- A. 12
- B. 9
- C. 11
- D. 10

Answer: B

Explanation:

<https://www.vmware.com/content/dam/digitalmarketing/vmware/en/pdf/techpaper/vmware-horizon-view-graphics-acceleration-deployment.pdf>

QUESTION 33

A second Identity Manager 2.x server must be added to distribute traffic and eliminate downtime. All of the prerequisites have been met. What is the most effective method to accomplish this?

- A. Log into the Identity Manager console using an admin account, navigate to the Appliance Settings tab, select VA Configuration, manage configuration, and select Clone Identity Manager appliance and assign a new IP address to it.
- B. Log into the Identity Manager console using an admin account, navigate to the Appliance Setting tab, select VA Configuration, manage configuration, and deploy a new Identity Manager appliance and assign a new IP address to it.
- C. Deploy a new identity manager appliance and link it to the first one during the initial configuration.
- D. Log into the vCenter Web Client using an Inventory Administrator level account or higher. Clone the existing Identity Manager appliance and assign a new IP address to it.

Answer: D

QUESTION 34

What is the main consideration when planning storage for a virtual desktop infrastructure solution?

- A. IOPS capacity
- B. Hardware-based deduplication
- C. Usable capacity
- D. Site-to-Site replication features

Answer: C

QUESTION 35

An Access Policy is configured to do what activity in VMware Identity Manager?

- A. Determine access to the Identity Manager Administration interface.
- B. Provide secure access to the users' apps portal and to launch the Web application.
- C. Provide secure access for the VMware Identity Manager Connector service.
- D. Determine which Active Directory groups are to be synchronized with the VMware Identity Manager Connector service.

Answer: B

Explanation:

http://pubs.vmware.com/vidm-24/index.jsp#com.vmware.wsp-administrator_24/GUID-04224060-D467-4DE0-BB08-B21E0AA9817D.html

QUESTION 36

What are two View requirements for ThinApp Appliance? (Choose two.)

- A. Grant read permission to the network share.
- B. Grant full control permission to the network share.
- C. Store Microsoft Installation (MSI) packages on a Windows network share.
- D. Store Microsoft Installation (MSI) packages on a VMFS datastore.

Answer: AC

Explanation:

<https://pubs.vmware.com/view->

51/index.jsp?topic=%2Fcom.vmware.view.administration.doc%2FGUID-BD84A763-EA51-44B0-A271-762279E7460E.html

QUESTION 37

When replacing the default self-signed SSL certificate in a newly-installed VMware Mirage Server with a signed certificate, which certificate store should the signed certificate be placed in?

- A. Certificates (Local Computer) > Trusted Root Certificate Authorities > Certificates
- B. Certificates (Local User) > Trusted Root Certificate Authorities > Certificates
- C. Certificates (Local User) > Enterprise Trust
- D. Certificates (Local Computer) > Personal > Certificates

Answer: A

QUESTION 38

Which two operating systems are supported for App Volumes Management Server? (Choose two.)

- A. Microsoft Windows Server 2008 Datacenter
- B. Microsoft Windows Server 2012 Standard
- C. Microsoft Windows Server 2012 R2 Datacenter
- D. Microsoft Windows Server 2008 R2 Standard

Answer: BC

Explanation:

http://pubs.vmware.com/Release_Notes/en/appvolumes/2.12/app-volumes-212-release-notes.html

QUESTION 39

In order for an administrator to utilize a Citrix deployment that includes Citrix NetScaler with VMware Identity Manager, what does the administrator need to deploy?

- A. Citrix Receiver
- B. Citrix web interface
- C. A custom ICA file
- D. Integration Broker

Answer: D

Explanation:

<https://pubs.vmware.com/vidm/index.jsp?topic=%2Fcom.vmware.wsair-resource%2FGUID-13324012-A09E-4009-ACE0-74E54334948C.html>

QUESTION 40

Virtual machines are stuck with a status of Customizing on the Virtual Machines tab within View Administrator during the deployment of a pool. Which two troubleshooting steps would help resolve this issue? (Choose two.)

- A. Ensure that the desktop virtual machine can resolve the DNS name of the connection server(s).
- B. Ensure that the view agent can communicate with the connection server over port 4172.
- C. Ensure that provisioning is enabled for the new pool.
- D. Ensure that the view agent can communicate with the connection server over port 4001.

Answer: AD

Explanation:

https://kb.vmware.com/selfservice/microsites/search.do?language=en_US&cmd=displayKC&externalId=1006734

QUESTION 41

Writable Volumes can be assigned to which three choices? (Choose three.)

- A. Groups
- B. VDI Desktops
- C. RDS Session Hosts
- D. Users
- E. AppStacks

Answer: ABD

QUESTION 42

The VMware Horizon administrator is unable to configure View Storage Accelerator on a vSphere 6 desktop virtual machine. What could be the reason?

- A. The virtual machine is on a VSAN datastore.
- B. You cannot use View Storage Accelerator in a vSphere 5.5 or later environments.
- C. Global Policies has been edited and the Multimedia redirection (MMR) value has been set to Allow.
- D. The virtual machine is larger than 512GB.

Answer: C

QUESTION 43

An administrator has been asked to remove access to the HR user pool and add access to the Legal user pool. How should the administrator do this?

- A. In View Administrator, Select Catalog > Desktop Pools, Select HR Desktop pool, Select > Delete.
- B. Open PowerCLI and issue the command, Get-Pool DisplayName "HR" | Remove-Pool | DeleteFromDisk \$true.
- C. In View Administrator, select Catalog > Desktop Pools, Select Disable HR Desktop Pool from the Status Drop down menu, Select Enable Legal Desktop Pool from the Status drop-down menu.
- D. In View Administrator, Select Catalog > Desktop Pools, Select Change Access Group from the Status Drop Down Menu, Select the Legal Desktop Access Group from the Status drop-down many, Select > OK.

Answer: A

QUESTION 44

How can an administrator lock down access to the User Environment Manager management console?

- A. By disabling access to the User Environment, Personalization, Condition Set, and Application Migration ribbons
- B. By using the Lock down access to VMware UEM Management Console policy setting
- C. By disabling the Configure ribbon button
- D. By locking access to the VMware UEM Management Console ADMX template

Answer: B

Explanation:

<http://pubs.vmware.com/uem-91/index.jsp?topic=%2Fcom.vmware.user.environment.manager-adminguide%2FGUID-17CD9E09-C817-42BD-A56E-4C85C9879EB1.html>

QUESTION 45

Support for AppStacks with physical endpoints is available with which three constraints? (Choose three.)

- A. The workstation has a wired network connection.
- B. The workstation has a wired or wireless network connection.
- C. The operating system on the workstation is streamed or non-persistent.
- D. The AppStack can be delivered either as a VHD or VMDK.
- E. The AppStack is delivered by VHD In-Guest mode.

Answer: ACE

Explanation:

<http://pubs.vmware.com/appvolumes-212/index.jsp?topic=%2Fcom.vmware.appvolumes.user.doc%2FGUID-ECBA6010-6519-4750-80BC-084C6232BC08.html>

QUESTION 46

Which two deployment types are available to the administrator when enabling View Applications in VMware Identity Manager? (Choose two.)

- A. User-Activated
- B. Manual
- C. Pool-based
- D. Automatic

Answer: AD

Explanation:

<http://pubs.vmware.com/vidm/topic/com.vmware.ICbase/PDF/workspace-air-resource.pdf>

QUESTION 47

When installing and configuring User Environment Manager, which features are the components of the installer?

- A. VMware user Environment Manager, FlexEngine, Application Migration, Self-Support, VMware User Environment Manager management console
- B. VMware user Environment Manager FlexEngine, Application Migration, Silo-Support, VMware User Environment Manager management console
- C. VMware user Environment Manager FlexEngine, Application Profiler, Silo-Support, VMware User Environment Manager management console
- D. VMware user Environment Manager DirectFlex, Application Profiler, Self-Support, VMware User Environment Manager management console

Answer: A

Explanation:

<http://pubs.vmware.com/uem-92/index.jsp#com.vmware.user.environment.manager-install-config/GUID-4C5B25B9-5228-4739-8702-C599A4DA2557.html>

QUESTION 48

What are the two required steps for VMware Identity Manager to centrally distribute and manage ThinApp packages? (Choose two.)

- A. Sync the packages with VMware Identity Manager.
- B. Enable VMware Identity Manager to locate the repository that stores ThinApp packages.
- C. Publish the ThinApp package through Horizon View.
- D. Modify the package.ini file with ThinApp=1.

Answer: AD

QUESTION 49

Which two View components require either a Microsoft SQL Server or Oracle Server database? (Choose two.)

- A. View Composer
- B. View Connection Server
- C. View Events Database
- D. View Security Server

Answer: AC

QUESTION 50

An administrator is unable to use a desktop as the parent for an instant clone desktop pool. What is the most likely cause?

- A. When installing the Horizon View Agent, the Client Drive Redirection option was selected.
- B. When installing the Horizon View Agent, the vRealize Operations Desktop Agent option was selected.
- C. When installing the Horizon View Agent, the VMware Horizon Instant Clone Agent option was selected.
- D. When installing the Horizon View Agent, the VMware Horizon View Composer Agent option was selected.

Answer: A

QUESTION 51

Which two procedures assign a Base Layer to centralized virtual desktops (CVDs) in VMware Mirage? (Choose two.)

- A. Click Validation button to validate CVDs.
- B. Choose Common Wizards > Assign Base Layer.
- C. Select individual, multiple or a collection of CVDs.
- D. Assign an App Layer.

Answer: BC

QUESTION 52

Support operations can be performed for what scenario while using the User Environment Manager Helpdesk Support Tool?

- A. Support operations can be performed on multiple users.
- B. Support operations can be done only for a specific user.
- C. Support operations can create profile archive backups.
- D. Support operations can be performed only on Active Directory users and groups.

Answer: B

Explanation:

<https://www.vmware.com/pdf/uem-860-helpdesk-admin-guide.pdf> (p.16)

QUESTION 53

A VMware Mirage administrator is trying to avoid a nagging popup that disrupts deployment automation scripts for every desktop that they deploy into the environment. Which task would most effectively assist the administrator?

- A. Turn on Branch Reflectors by clicking Always Use Branch Reflector, under System Configuration > Settings > Branch Reflector menu.
- B. Turn on CVD Auto Creation by clicking Enable automatic CVD creation, under System Configuration > Settings > CVD Auto Creation menu.
- C. Show the Mirage status by right-clicking the Mirage icon and selecting Show Status.
- D. Add the VMware Mirage server address and port to the Mirage Client.

Answer: A

QUESTION 54

The User Environment Manager management console has the ability to hide certain features that are not needed. What are the default-enabled Personalization Features?

- A. Advanced, Backups, DirectFlex, Conditions, Predefined Settings, Profile Cleanup, User Environment
- B. Basic, Backups, DirectFlex, Predefined Settings, Profile Cleanup, Silo Support, User Environment
- C. Advanced, Backups, DirectFlex, Conditions, Predefined Profiles, Restore, Silo Support, User Environment
- D. Backups, Desktop Support, DirectFlex, Conditions, Predefined Settings, Profile Cleanup, User Environment

Answer: A

Explanation:

<https://www.vmware.com/pdf/uem-860-admin-guide.pdf>

QUESTION 55

An administrator is tasked with selecting a display protocol for a virtual desktop pool. The users of the desktop pool have the following requirements:

- The protocol must allow the user to interact with knowledge worker applications such as a word processor.
- The protocol must allow the user to work from the office as well as remotely from home.
- The protocol must offer the most efficient battery life when connecting from mobile devices.

Which display protocol should the administrator select for this desktop pool?

- A. VNC
- B. RDP
- C. PCoIP
- D. Blast Extreme

Answer: D

QUESTION 56

Which three desktop pool attributes can be set only at the time of pool creation? (Choose three.)

- A. Max number of machines
- B. Type of virtual machine
- C. Pool ID

- D. Storage location
- E. Pool type

Answer: ABC

QUESTION 57

Which two User Environment Manager condition settings can help determine if the user has a laptop? (Choose two.)

- A. It is running on battery.
- B. It has a wireless card.
- C. It has a trackpad.
- D. It has a battery.

Answer: AC

QUESTION 58

Which three attributes are required to configure the Mirage Gateway Server with VMware Mirage? (Choose three.)

- A. Mirage server address and port
- B. LDAP address and port
- C. Certificate subject name
- D. Mirage Gateway activation file
- E. LDAP user DN and password

Answer: ACE

Explanation:

<https://pubs.vmware.com/mirage-50/index.jsp?topic=%2Fcom.vmware.mirage.admin.doc%2FGUID-4D61A806-2204-400C-9AE6-2A7DB8B82D93.html>

QUESTION 59

Which three tools are recommended to analyze End User Requirements for performance before implementing View? (Choose three.)

- A. Wireshark PCoIP protocol assessment
- B. Lakeside SysTrack Desktop Assessment for VMware
- C. Nmap display protocol port analysis
- D. Liquid Labs Stratusphere FIT assessment
- E. VMware's free SysTrack Desktop Assessment

Answer: CDE

QUESTION 60

In order to establish user assignments for manual desktop pools and automated desktop pools of full virtual machines or View Composer linked clones, which user assignment can an administrator choose?

- A. Only dedicated user assignment.
- B. Automatic user assignment.
- C. Floating or dedicated user assignment.

D. Only floating user assignment.

Answer: D

QUESTION 61

Which type of virtual machines can an existing pool contain when cloning an Automated Desktop Pool from an existing pool?

- A. RDS desktops
- B. Linked clones
- C. Manual desktops
- D. Instant clones

Answer: B

Explanation:

<https://pubs.vmware.com/horizon-7-view/index.jsp?topic=%2Fcom.vmware.horizon-view.desktops.doc%2FGUID-BA25DED9-DF6D-478C-A543-0E1F2126FB78.html>

QUESTION 62

In VMware Mirage, the Minimal Restore set of files generally includes what three types of files? (Choose three.)

- A. Kernel DLLs.
- B. Driver store.
- C. Keyboard layout.
- D. Antivirus and firewall applications.
- E. Organization VPN.

Answer: BDE

Explanation:

<http://pubs.vmware.com/horizonmirage-43/index.jsp?topic=%2Fcom.vmware.horizonmirage.admin.doc%2FGUID-02BC03C1-591E-4971-86DE-0760630AA3CB.html>

QUESTION 63

Where does User Environment Manager store the Flex Configuration files?

- A. In local client folder to which the users have at least Read access rights.
- B. On a network share to which the users have at least Write access rights.
- C. In a local client folder to which the users have at least Write access rights.
- D. On a network share to which the users have at least Read access rights.

Answer: D

Explanation:

<http://pubs.vmware.com/uem-91/index.jsp#com.vmware.user.environment.manager-install-config/GUID-9F060F1C-DF57-4227-876E-D694B27C5379.html>

QUESTION 64

An ESXi host has instant clone virtual machines running on it. What tool should be used to place it into maintenance mode?

- A. VMware vSphere Client

- B. ViewDbChk
- C. vdmadmin
- D. IcMaint

Answer: D

Explanation:

<https://docs.vmware.com/en/VMware-Horizon-7/7.2/com.vmware.horizon.virtual.desktops.doc/GUID-6025D684-2E05-4857-9C24-18F16DDC38FD.html>

QUESTION 65

How can an administrator access the User Environment Manager console?

- A. Deploy the User Environment Manager appliance, select the Flex management console option, then connect to the appliance at <https://UEM-Console.vmware.com:9443/ui>.
- B. Deploy the User Environment Manager appliance, select the Flex management console option, then launch the management console application.
- C. Launch the User Environment Manager installer, perform a Custom install, select the Flex management console option, then launch the management console application.
- D. Launch the User Environment Manager installer, perform a Custom install, select the Flex management console option, then connect to the computer at <https://UEM-Console.vmware.com:9443/ui>.

Answer: B

QUESTION 66

Which two capabilities are true for Writable Volumes? (Choose two.)

- A. They can be used to enable users to install their own applications.
- B. They can be used to store local profile information.
- C. They can be used with RDS session hosts.
- D. They can be connected to more than one virtual machine at the same time.

Answer: AB

Explanation:

<https://www.vmware.com/content/dam/digitalmarketing/vmware/en/pdf/techpaper/vmware-app-volumes-deployment-considerations.pdf>

QUESTION 67

When configuring a Microsoft Windows 2012 R2 virtual machine as a single-session View desktop, what Microsoft Windows role or feature must be installed to access the desktop using HTML?

- A. Remote Access
- B. Desktop Experience
- C. Hyper-V
- D. Web Server (IIS)

Answer: C

QUESTION 68

An administrator is creating an instant clone pool. During the Add pool wizard process, the Administrator gets to the vCenter Server page, selects "Instant Clones" and notices that the "Next" button is grayed out. What is the cause?

- A. The administrator must open PowerCLI, issue the cmdlet mkfs.ext3 /"My Folder"/.....
- B. The VMware View Connection Server service is halted and must be restarted.
- C. The administrator does not have sufficient privileges.
- D. In the wizard, the Administrator must click on the desired vCenter server in the vCenter Server section.

Answer: D

QUESTION 69

After creating a new desktop pool that contains customization specifications, the administrator sees the following message in the VMware Horizon event database:

.....

What are the two most likely causes of this problem? (Choose two.)

- A. The administrator does not have sufficient permissions to access the customization specification.
- B. Desktops can only be customized after the end user logs into the virtual machine.
- C. The customization specification has been renamed or deleted.
- D. Desktop pool provisioning is disabled.

Answer: CD

QUESTION 70

Which two operating systems are supported when creating a master image for instant clones? (Choose two.)

- A. Microsoft Windows Server 2012 R2
- B. Microsoft Windows 8.1
- C. Microsoft Windows 10
- D. Microsoft Windows 7

Answer: CD

Explanation:

<https://www.vmware.com/content/dam/digitalmarketing/vmware/en/pdf/techpaper/vmware-horizon-view-instant-clone-technology.pdf> (page 18)

QUESTION 71

When troubleshooting issues with the View Agent, which tool can be used to generate a Data Collection Tool (DCT) bundle?

- A. msixec
- B. vdmadmin
- C. vdmutil
- D. lmvutil

Answer: B

Explanation:

<https://pubs.vmware.com/horizon-7-view/index.jsp#com.vmware.horizon-view.administration.doc/GUID-1621BB82-8175-4F27-A33E-37B2B0DA9763.html>

QUESTION 72

Where can an administrator verify that the vSphere Infrastructure version will support the latest version of View?

- A. Known Issues list for Horizon 7
- B. VMware Hardware Compatibility List
- C. VMware Product Interoperability Matrixes
- D. Release Notes for Horizon 7

Answer: D

QUESTION 73

To use PCoIP with a physical machine, what must be installed on the machine?

- A. Nvidia K2 Grid card
- B. Teradici hardware card
- C. Unidesk agent software
- D. Wireless network card

Answer: B

Explanation:

<https://pubs.vmware.com/horizon-7-view/index.jsp?topic=%2Fcom.vmware.horizon-view.desktops.doc%2FGUID-35894A0A-182C-4BA1-B7FD-375DCAF71E09.html>

QUESTION 74

Which device section contains a VMware Mirage endpoint that could be centralized utilizing Wake-on-LAN?

- A. Assigned Devices
- B. Rejected Devices
- C. Problematic Devices
- D. Pending Devices

Answer: D

Explanation:

<http://pubs.vmware.com/mirage-59/index.jsp?topic=%2Fcom.vmware.mirage.admin.doc%2FGUID-53C6380B-276B-4D1F-8BF9-BD3274D44D05.html>

QUESTION 75

What task is a prerequisite before installing View Composer?

- A. Configure an SSL Certificate for View Composer that is signed by a Certificate Authority (CA).
- B. Enable TLSv1.0 security protocol.
- C. Create a database and data source name (DSN).
- D. Pair the connection server with the security server.

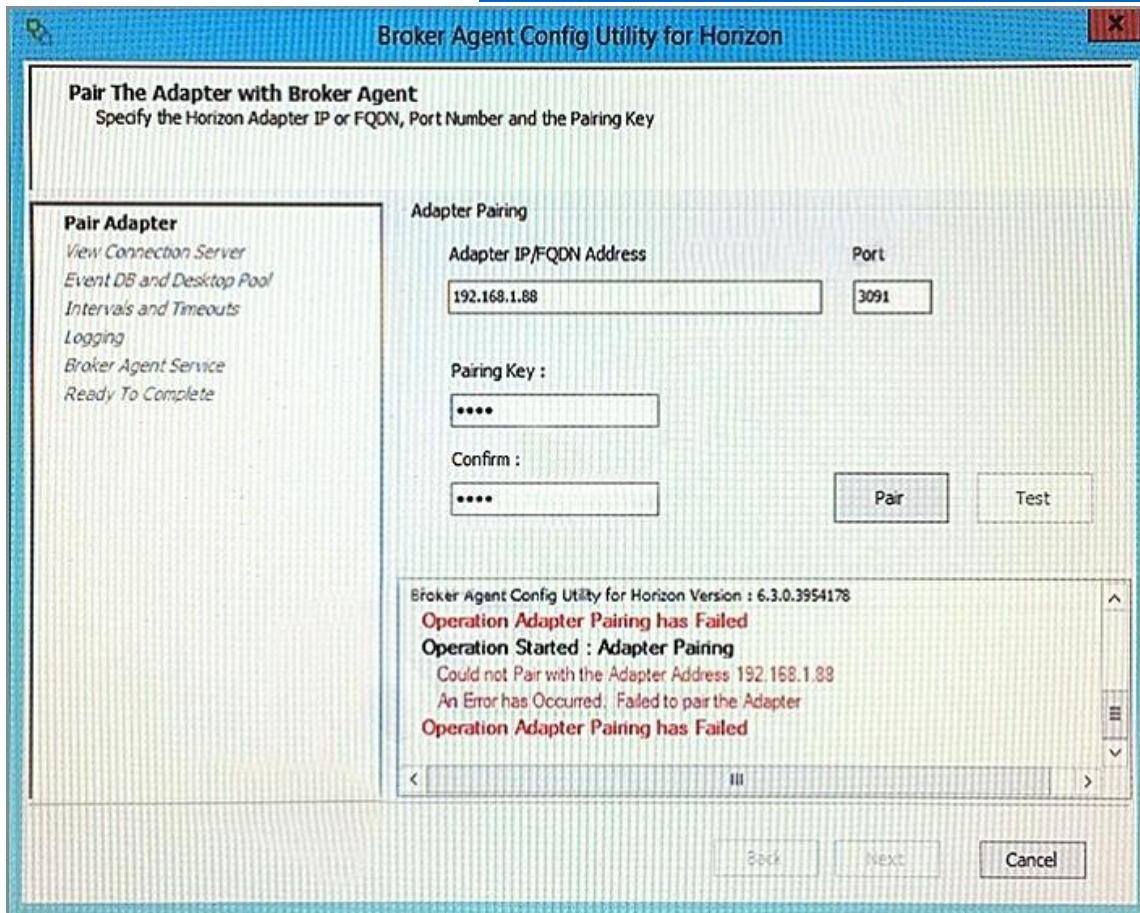
Answer: C

Explanation:

<https://pubs.vmware.com/horizon-7-view/topic/com.vmware.horizon-view.installation.doc/GUID-4CF63F93-8AEC-4840-9EEF-2D60F3E6C6D1.html>

QUESTION 76

While a View administrator is configuring the vRealize for Horizon Broker Agent, this error message is displayed:



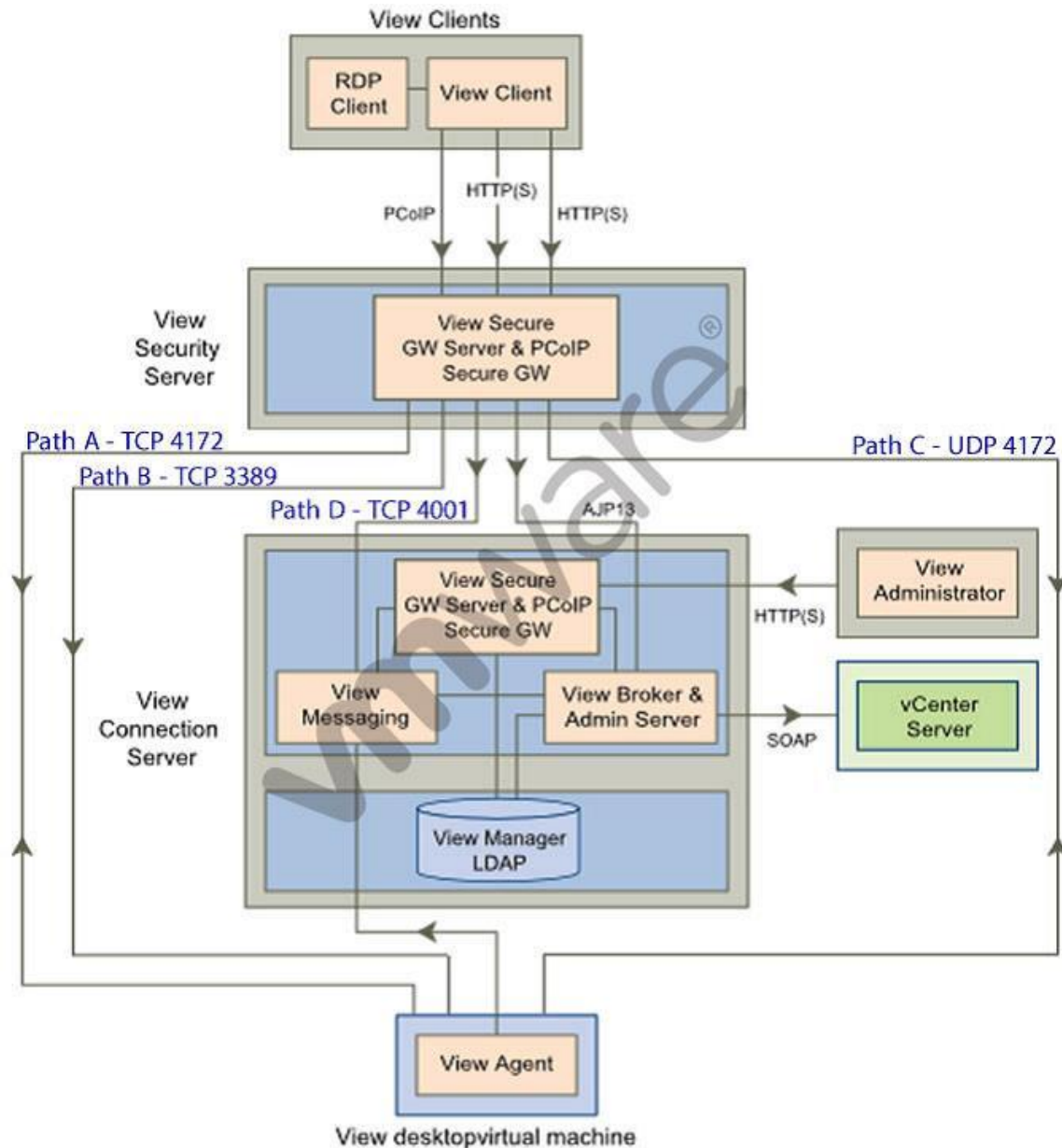
What two actions should the administrator take to resolve the issue? (Choose two.)

- A. Verify that the pairing key is correct.
- B. Start the VMware vRealize Operations for Horizon Broker Agent service on the virtual desktops.
- C. Configure the firewall to allow communications.
- D. Configure DNS to properly resolve the hostnames.

Answer: AD

QUESTION 77

Based on the exhibit, which pathway is used for RDP traffic?

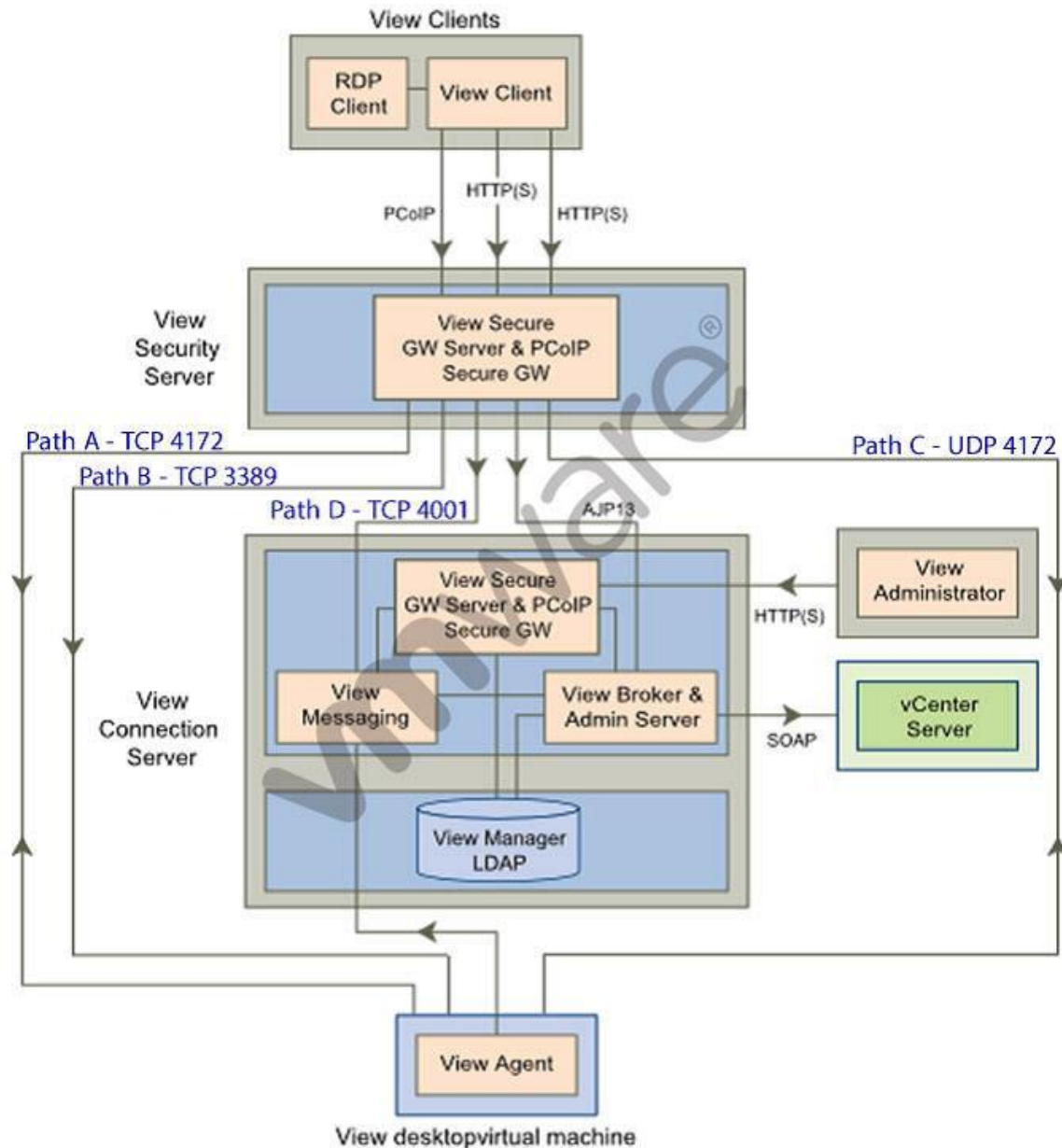


- A. Path A
- B. Path B
- C. Path C
- D. Path D

Answer: B

QUESTION 78

Based on the exhibit, which two paths are used for PCoIP traffic? (Choose two.)



- A. Path A
- B. Path B
- C. Path C
- D. Path D

Answer: AC

QUESTION 79

An administrator needs to ensure that the Horizon View environment accounts for single points of failure. Which type of server should the administrator install in addition to the Horizon View Connection server?

- A. vCenter Operations for Horizon server

- B. Security server
- C. Replica server
- D. Mirage server

Answer: C

QUESTION 80

An administrator needs to provide access to applications for users regardless of whether the users have network access. Which two VMware components should the administrator choose? (Choose two.)

- A. VMware Workspace
- B. VMware ThinApp
- C. VMware Horizon View
- D. VMware Mirage

Answer: BD

QUESTION 81

An administrator needs to create 1000 virtual machines with minimal shared disk space. Additionally, the administrator needs to be able to update the images while ensuring that the users' information is managed in a central location. Which VMware components should be used to meet the requirements?

- A. VMware Horizon View with Persona Management
- B. VMware Horizon View with vSphere Data Protection
- C. VMware Workspace with vSphere Data Protection
- D. VMware Workspace with Persona Management

Answer: A

QUESTION 82

What two prerequisites must be met before View Composer can be installed? (Choose two.)

- A. No other application on the View Composer server should use Windows SSLv2 libraries.
- B. A domain user account with Administrator privileges on the system must be used.
- C. No other application on the View Composer server should use OpenSSLv2 libraries.
- D. A local user account with Administrator privileges on the system must be used.

Answer: AB

QUESTION 83

An administrator needs to install View Composer. The current environment uses a vCenter Server appliance and four ESXi hosts. Which two steps should the administrator take to complete the installation? (Choose two.)

- A. Log in using a domain user account with local Administrator privileges.
- B. Install the View Composer server on the vCenter Server.
- C. Log in using Administrator@vsphere.local.
- D. Install the View Composer server on a standalone Windows server.

Answer: AD

QUESTION 84

A company is planning to use the Horizon 6 product suite to transform the end user computing environment in the organization. Which two statements represent capabilities of the Horizon 6 family of products can help the company fully transform their environment? (Choose two.)

- A. VMware Virtual SAN provides a centralized management console for administrators to manage end user document workspaces.
- B. VMware ThinApp is a remote desktop solution that will allow you to move all desktops to central location.
- C. VMware Mirage is a centralized desktop image management technology that supports layered image management.
- D. VMware Horizon (with View) virtualizes user operating systems, applications and user data.

Answer: CD

QUESTION 85

An administrator is performing a silent installation of a View Connection Server and needs to ensure that the firewall settings are enabled during the install. Which parameter should the administrator use?

- A. FWCHOICE=0
- B. FWCHOICE=1
- C. FW_SET=0
- D. FW_SET=1

Answer: B

QUESTION 86

An administrator is installing View Connection server and stops at the Authorize a View Administrators account step. Which user or group is the default suggestion at this stage?

- A. The Domain Admins group
- B. The local user performing the install
- C. The local Administrators group
- D. The domain user performing the install

Answer: D

QUESTION 87

An administrator has installed a View security server and needs to verify that the installation was successful. In addition to the security server, which three services should be installed? (Choose three.)

- A. VMware View Framework
- B. VMware View Security Framework
- C. VMware View PCoIP Secure Gateway
- D. VMware View Security Gateway
- E. VMware View Framework Gateway

Answer: ACD

QUESTION 88

An administrator is performing a silent installation of a security server and needs to ensure that clients can remotely access their desktops using View's default protocol. Which parameter should the administrator use?

- A. VDM_SERVER_SS_BSG_EXTURL
- B. VDM_SERVER_SS_EXTURL
- C. VDM_SERVER_SS_PCOIP_IPADDR
- D. VDM_SERVER_SS_PCOIP_TCPPOINT

Answer: C

QUESTION 89

An administrator has installed View and needs to configure the PCoIP settings via a Group Policy Object (GPO). What should the administrator do first?

- A. Create a GPO and apply the required policy settings.
- B. Add pcoip.adm to the Administrative Templates on a View Connection server.
- C. Link the GPO to the Organizational Unit (OU) that contains the virtual desktops.
- D. Add pcoip.adm to the Administrative Templates on an Active Directory server.

Answer: D

QUESTION 90

An administrator needs to provide access to a View virtual desktop for users in Domain A and Domain B. How should the administrator configure the domains and the View implementation?

- A. Install a View Connection Server in a resource domain and create a one-way trust to both Domain A and Domain B.
- B. Install a View Connection Server in Domain A and create a one-way trust to Domain B.
- C. Install a View Connection Server in Domain A and create a two-way trust between Domain A and Domain B.
- D. Install a View Connection Server in a resource domain and create a two-way transitive trust between Domain A and Domain B.

Answer: C

QUESTION 91

An administrator is granted access to a vCenter Server with a custom Active Directory user account. The user account should have the required permissions for full management of the View environment. However, when the administrator attempts to enable View Storage Accelerator, permission is denied. Which View privilege within vCenter Server needs to be configured?

- A. Storage Views > View
- B. Global > Act as vCenter Server
- C. Host.Configuration > Advanced settings
- D. Virtual Machine.Configuration > Modify device settings

Answer: B

QUESTION 92

An organization has deployed a View environment. Users need to connect USB devices to their View sessions.

- All client endpoints are Windows 7 thin clients.

- A firewall is in place through which all network traffic flows.
- All Windows patches are up to date on guest virtual machines and endpoints.

Users report that USB devices are not connecting to the View sessions when they are plugged in to the thin clients. What are two reasons that could cause this behavior? (Choose two.)

- A. TCP port 9427 is closed on the firewall.
- B. TCP port 32111 is closed on the firewall.
- C. Windows Mobile Device Center is preventing USB redirection.
- D. USB redirection drivers on the guest virtual machine are missing or disabled.

Answer: BD

QUESTION 93

An administrator needs to install a legacy application to a Dedicated Full Clone Pool inside of View. A ThinApp package is successfully created and assigned to the pool. The ThinApp application status on the virtual desktops remains at Pending. Rebooting a desktop fails to resolve the issue. Which two steps should the administrator take to determine the cause of the problem? (Choose two.)

- A. Verify that the folder or share containing the ThinApp packages has the appropriate permissions set.
- B. Verify that the application package is an executable (.exe).
- C. Verify that the application was not already installed on the virtual desktop.
- D. Verify that there is enough disk space on the virtual desktop.

Answer: CD

QUESTION 94

While deploying a View desktop pool, an administrator determines that the virtual desktops remain at a status of Customizing. In the debug-timestamp.txt log file of the View Agent, the administrator finds the error message:

```
Debug - Unable to connect to JMS
Server.com.vmware.vdi.agent.messageserver.Jmsmanager.a(SourceFile:238)
javax.jms.JMSException:Unable to create a connection to:[ServerEntry,
hostname, port=4001]
```

What should the administrator do to troubleshoot the connection problem?

- A. Verify that the View Composer Guest Agent Server service is set Started on the virtual desktops.
- B. Verify that the View Agent can communicate with the View Connection Server over port 4001.
- C. Verify that the View Connection Server can resolve the DNS name of the vCenter Server.
- D. Verify that the View Security Server can establish a connection using the AJP13 protocol over port 4001.

Answer: B

QUESTION 95

An administrator deployed a linked-clone pool with virtual desktops running Windows XP for a branch office. The Active Directory server supporting the office is a Windows Server 2008 Read Only Domain Controller (RODC). The administrator makes the following changes to Sysprep:

- Join the Domain
- Use the Virtual Machine name for the NetBIOS name

When the administrator attempts to provision the desktops using View Composer, the following error message is displayed:

```
View Composer agent initialization state error (18): Failed to join the
```

domain (waited 565 seconds)

What should the administrator do to provision the virtual desktops?

- A. Configure the desktop pool to use Quickprep instead of Sysprep to provision the Linked Clones.
- B. Log in to the parent virtual machine and apply the RODC compatibility update for XP.
Take a new snapshot and recompose the pool.
- C. Configure the virtual desktops to synchronize time from another domain controller that is available on the network.
- D. Log in to the parent virtual machine and reinstall the View Agent.
Take a new snapshot and recompose the pool.

Answer: B

QUESTION 96

Users at a branch office are experiencing poor virtual desktop performance. The branch office has ten users and a 2Mbps link to the datacenter. Some of the users frequently access video content, but the performance issues began occurring after a recent Group Policy Object (GPO) change. The performance issues do not occur when the same users connect from the main office, which has a 10Mbps link to the data center. Which PCoIP GPO change is most likely the cause of the performance issues?

- A. Turn off Build-to-Lossless = Enabled
- B. PCoIP session audio bandwidth limit = 100kbps
- C. PCoIP client image cache size = 260MB
- D. Maximum PCoIP session bandwidth = 4Mbps

Answer: D

QUESTION 97

An administrator has set the default display protocol for a desktop to PCoIP to support 1080p quality video on the LAN. Group Policy Object (GPO) settings are applied to the virtual desktops to enforce the following settings:

- PCoIP session bandwidth floor = 0
- Enable Build to Lossless = Enabled
- PCoIP Maximum Frame Rate = 20
- Minimum Initial Image Quality = 90

Which configuration option is responsible for users reporting that video playback is choppy?

- A. PCoIP session bandwidth floor
- B. Enable Build to Lossless
- C. Minimum Initial Image Quality
- D. PCoIP Maximum Frame Rate

Answer: D

QUESTION 98

Users report poor performance over a wide area network. Ten users share a 5Mbps link for this site. The administrator suspects a PCoIP configuration issue and locates the following PCoIP configuration settings:

- Turn off Build-to-Lossless feature = Enabled
- PCoIP Session Bandwidth Floor = 1000
- Maximum Frame Rate = 24
- PCoIP Client Image Cache Size Policy = 250

Which setting is likely causing the performance issue?

- A. Turn off Build-to-Lossless feature = Enabled
- B. PCoIP Session Bandwidth Floor = 1000
- C. Maximum Frame Rate = 24
- D. PCoIP Client Image Cache Size Policy = 250

Answer: B

QUESTION 99

An administrator identifies PCoIP packet fragmentation on the network. The following items have been discovered:

- Network Path Maximum Transmission Unit (MTU) is 1200
- PCoIP Traffic has Quality of Service (QoS)

What should the administrator do?

- A. Set router buffers to tail drop
- B. Set router buffers to Weighted Random Early Detection (WRED)
- C. Set PCoIP MTU to 1500
- D. Set PCoIP MTU to 1100

Answer: D

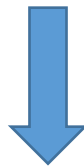
QUESTION 100

An administrator needs to view Windows 7 Virtual Desktops from the vSphere Console while a user has a PCoIP session to the Virtual Desktop. When the administrator opens a vSphere Console to a Virtual Desktop, the Console screen is black. The administrator enables the Session Variable Enable access to a PCoIP session from a vSphere console. After this change, a black screen still appears when the administrator opens a vSphere Console to the Virtual Desktops. What is preventing the Virtual Desktop from showing in the vSphere Console?

- A. The Virtual Desktop Hardware Version is 7.
- B. The Virtual Desktop Hardware Version is 8.
- C. The Virtual Desktop Hardware Version is 9.
- D. The Virtual Desktop Hardware Version is 10.

Answer:

Get Complete Version Exam 2V0-751 Dumps with VCE and PDF Here



<https://www.passleader.com/2v0-751.html>