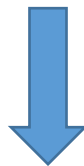


VMware VCP6-DTM Certification 2V0-651 Exam



- Vendor: VMware
- Exam Code: 2V0-651
- Exam Name: VMware Certified Professional 6 - Desktop and Mobility Exam

Get Complete Version Exam 2V0-651 Dumps with VCE and PDF Here



<https://www.passleader.com/2v0-651.html>

QUESTION 1

A View administrator needs to ensure that an environment is ready to use Smart Cards. The cards use certificates generated by a third-party Certificate Authority (CA). The administrator has verified that each certificate contains a UPN. What must the administrator do to complete the preparation of the environment?

- A. Import the root and intermediate CA certificates into the Trusted Root Certification Authorities group policy in Active Directory.
- B. Import the root and intermediate CA certificates into the Trusted Root Certification Authorities store on the View Connection server.
- C. Import the root and intermediate CA certificates into each user's Smart Card.
- D. Enable Smart Card Authentication in the authentication settings in View Administrator.

Answer: A

QUESTION 2

What should the administrator do first when configuring vCenter Operations Manager for Horizon to monitor their View deployment?

- A. Add Adapter from the View Configuration > Servers page in View.
- B. Add Adapter from the Custom Dashboard page > Configuration in vCenter Operations Manager.
- C. Configure the Adapter from the Administration > Solutions page in vCenter Operations Manager.
- D. Configure the Adapter from the View Configuration > Global Settings page in View.

Answer: C

QUESTION 3

An administrator is configuring the View Connection Broker Agent. The Adapter instance is properly configured within vCenter Operations Manager for Horizon. When the administrator clicks on the Test button to pair the server, the test fails. IP address and name resolution are validated and working for both servers. What should the administrator do to verify connectivity between both servers?

- A. Verify that a proper Fully Qualified Domain Name exists for the vCenter Operations for Horizon servers.
- B. Verify that the certificate on the vCenter Operations for Horizon server is recognized by the View server.
- C. Login with a domain admin account, instead of a local account on the View server.
- D. Verify that the proper port is open between vCenter Operations for Horizon and the View server.

Answer: D

QUESTION 4

An administrator finds that some desktop pools fail to report metrics back to vCenter Operations Manager for Horizon, while other desktops are reporting metrics as expected. Which condition could cause this behavior?

- A. The vCenter Operations Manager for Horizon server is not paired with a View Connection server.
- B. The vCenter Operations Manager for Horizon adapter is running version 1.0.1.
- C. HKLMSOFTWARE\VMware, Inc.\vCenter Operations Manager\Client is disabled.
- D. The vCenter Operations Manager agent is disabled in the virtual desktops.

Answer: D

QUESTION 5

An administrator needs to backup the View LDAP Configuration and View Composer database. What are three ways this can be accomplished? (Choose three.)

- A. Schedule automatic backups by using the View Manager Configuration Backup feature.
- B. Initiate a backup immediately by using the Backup Now feature in View Administrator.
- C. Use a replicated instance of View Connection Server as the backup.
- D. Take a snapshot of the View Connection server.
- E. Manually export the View data by using the vdmexport utility.

Answer: ABE

QUESTION 6

An administrator needs to set up SSL certificates that are signed by a third-party Certificate Authority for the View Connection and security servers. Which two configuration steps must the administrator complete? (Choose two.)

- A. Modify the certificate friendly name to vdm.
- B. Run the sviconfig ReplaceCertificate utility to bind the new certificate.
- C. Modify the certificate friendly name to view.
- D. Import the SSL certificate into the Windows local system certificate store on the View servers.

Answer: AD

QUESTION 7

An administrator enables Persona Management for a desktop pool and leaves the universal naming convention (UNC) path blank in the session variable Persona Repository Location. What is the likely outcome?

- A. The User Profile will not be created.
- B. The User Profile will be created but when users log on again their files will not be available.
- C. The User Profile Path in Active Directory will be used.
- D. The User Profile Path will default to the local My Documents.

Answer: C

QUESTION 8

An administrator needs to configure Persona Management with a Dedicated Linked Clone Pool. The administrator is aware that users save large files to their user profiles and needs to avoid long load times of the user data. What should the administrator do to enhance performance of Persona Management when loading the user data?

- A. Enable the Remove local persona at log off policy.
- B. Configure Persistent Disks with Persona Management.
- C. Enable View Storage Accelerator.
- D. Configure Non-Persistent Disks with Persona Management.

Answer: B

QUESTION 9

An administrator is configuring a group of desktops that will be accessed via the PCoIP display protocol across a WAN link. Which two settings should the administrator apply to minimize

bandwidth usage? (Choose two.)

- A. Lower the Maximum Frame Rate
- B. Raise the Maximum Frame Rate
- C. Disable the Turn off Build-to-Lossless feature
- D. Enable the Turn off Build-to-Lossless feature

Answer: AD

QUESTION 10

Which two settings are required to prevent RDP access to a group of View desktops? (Choose two.)

- A. Disable AllowDirectRDP.
- B. Enable AllowDirectRDP.
- C. Select the PoolSettings tab and select PCoIP as the default display protocol.
- D. Select the Pool Settings tab and disable RDP as a possible display protocol.

Answer: AC

QUESTION 11

A View environment includes a View Connection Server and View Security Server. The View Connection Server has the following configuration:

- DNSName: view.company.com
- IP Address: 192.168.1.1

The View Security Server has the following configuration:

- DNSName: security.company.com
- IP Address: 10.10.10.1

An administrator needs to set up View to allow external access for users via PCoIP. Which option represents the format in which information must be entered into the PCoIP External URL field in View Administrator?

- A. https://security.company.com:443
- B. https://10.10.10.1:4172
- C. 10.10.10.1:4172
- D. security.company.com:4172

Answer: C

QUESTION 12

A View environment includes a View Connection Server and View Security Server. The View Connection Server has the following configuration:

- DNSName: view.company.com
- IP Address: 192.168.1.1

The View Security Server has the following configuration:

- DNSName: security.company.com
- IP Address: 10.10.10.1

An administrator needs to set up View to allow external access for the users via PCoIP. Which option represents the format in which information must be entered into the External URL field of the security server in View Administrator?

- A. https://security.company.com:443
- B. https://security.company.com:4172

- C. 10.10.10.1:4172
- D. https://view.company.com:443

Answer: A

QUESTION 13

A corporate policy requires that all external connections use port 444. The administrator needs to ensure that the View environment meets corporate security policy. What does the administrator need to configure to meet the policy requirement?

- A. Install a signed certificate on the View Security Server.
- B. Modify the External URL default setting in the GPO.
- C. Edit the locked.properties file in the SSL Gateway Configuration folder.
- D. Edit the certificate to force https only connections.

Answer: C

QUESTION 14

An administrator is configuring RADIUS authentication for a View implementation and enters the RADIUS server host name into the View Administrator console. Which additional information must be entered into View Administrator to properly configure RADIUS?

- A. Port number, authentication type, and shared secret
- B. DNS server, port number, and shared secret
- C. Authentication type, shared secret, and public key
- D. Public key, authentication type, and shared secret

Answer: A

QUESTION 15

An administrator is creating a pool of desktops for a group of developers. The administrator needs to provide control to a user from the group to manage the recompose and refresh operations. The user's controls must apply only to the developer pool. What should the administrator do?

- A. Create a developer folder, add the developer pool, and assign a user with the Inventory Administrators role to the folder.
- B. Create the developer pool and assign the Manage Desktops global privilege to the virtual desktops.
- C. Create the developer pool and assign the Inventory Control global privilege to the virtual desktops.
- D. Create a developer folder, add the desktops, and assign a user with the Manage Desktops role to the folder.

Answer: A

QUESTION 16

A View environment consists of a Connection Server named connect-01 and a security server named security-01. An administrator needs to configure RSA SecurID authentication for external users. Internal users must not be prompted for the RSA SecurID token code. What should the administrator do?

- A. Configure 2-factor authentication on the security-01 security server.
- B. Configure 2-factor authentication on the connect-01 Connection Server.
- C. Add a new Connection Server named connect-02 for internal users.
Configure 2-factor authentication on the connect-01 Connection Server.

- D. Add a new security server named security-02 for internal users.
Configure 2-factor authentication on the security-01 security server.

Answer: C

QUESTION 17

An organization's ThinApp packaged applications are being delivered to both physical and virtual desktops using a login script. The administrator has implemented Workspace Portal across the organization. Instead of using login scripts, the administrator needs to provide the applications to users from the Workspace Portal application catalog. Which ThinApp utility and parameter should the administrator use?

- A. relink.exe -a
- B. vregtool.exe -h
- C. vregtool.exe -a
- D. relink.exe -h

Answer: D

QUESTION 18

An application was packaged using ThinApp and access is restricted to an Active Directory group called Customer Services. An administrator needs to remove this restriction. What should the administrator do to remove this restriction with the least effort?

- A. Repackage the application, selecting Everyone from the Setup Capture wizard.
- B. Remove the PermittedGroups section from package.ini and execute build.bat.
- C. Change PermittedGroups=1 to 0 within package.ini and execute sbmerge.exe.
- D. Change PermittedGroups=0 to 1 within package.ini and execute sbmerge.exe.

Answer: B

QUESTION 19

An administrator has completed upgrading the View pods in two datacenters to Horizon 6. To facilitate the new Continuity of Operations initiative, the administrator needs to implement global entitlements via the new Cloud Pod Architecture. Which capability of the administrator's current environment is incompatible with Cloud Pod Architecture?

- A. Dedicated Full Clone Pools
- B. HTML Access
- C. ThinApp Entitlements
- D. Persona Management

Answer: B

QUESTION 20

A Cloud Pod Architecture environment has datacenters in New York and Los Angeles. Users have a Global Home Site configured for the datacenter geographically closest to their home office. When users travel, they connect to the VPN for the datacenter closest to their current geographic location. When users log into Horizon to access their desktops, which statement is correct regarding the desktop they will connect to?

- A. Users will always be connected to a desktop in their Global Home Site. If no desktops are available

in that site, users will receive a message stating no desktop resources are available.

- B. Users will be connected to an entitled desktop in the site for the VPN they selected, if one is available.
- C. Users will be connected to a desktop in the site configured for the security group of which they are a member. If no desktops are available in that site, one will be provided from their Global Home Site.
- D. Users will be connected to a desktop in their Global Home Site. If none are available, users will be connected to a desktop in the other site.

Answer: D

QUESTION 21

An administrator is creating a new Automated Linked-Clone desktop pool. The administrator has also created a new parent virtual machine and has installed the View Agent. Which additional step must be taken before the desktop is prepared for use in a Linked-Clone pool?

- A. Restart the virtual machine and clone to template.
- B. Power off the virtual machine and take a snapshot.
- C. Enable provisioning in View Administrator.
- D. Enable provisioning in View Composer.

Answer: B

QUESTION 22

An administrator is using VMware Mirage to create a base operating system image, but is concerned that deploying this operating system to different types of hardware can cause many problems. What two tasks can an administrator implement to avoid this issue? (Choose two.)

- A. Use a specific Application Layer driver during deployment.
- B. Create operating system image via Sysprep with all pre-installed drivers.
- C. Deploy, maintain and use a Driver Library.
- D. Allow users to install their own drivers and applications.

Answer: AC

QUESTION 23

An administrator wants to minimize the load caused by virtual desktop traffic. In order to maximize performance on an excessively taxed infrastructure, which type of business challenge is the administrator faced with?

- A. Availability
- B. Security
- C. Application
- D. Management

Answer: B

QUESTION 24

A desktop environment is configured to provision on demand. Users report that login is taking longer than expected when they sign in. The administrator determines that significant I/O is being generated each morning when users are logging in. What should the administrator do to resolve the issue?

- A. Deploy a replica View Composer server to load balance provisioning operations.

- B. Increase the minimum number of desktops in the pool.
- C. Edit the pool settings so that desktops refresh on logoff.
- D. Enable SE Sparse disk to reduce initial provisioning time.

Answer: B

QUESTION 25

An administrator is planning a Floating Linked-Clone desktop pool using local solid state drives. A stateless configuration is suitable for this group of users. Local solid state drive capacity is limited. The administrator plans to use the storage tiring capabilities of View Composer to place the Linked-Clones on shared storage and place only the Replica on local disk. Why will the administrator be prevented from using this configuration?

- A. Storagetiringis supported only when using Full Clone desktops.
- B. Replica and Linked-Clone disks must reside on the same datastore when using local disks.
- C. Replica disks must always reside on shared storage for Linked-Clone pools.
- D. Storagetiringis supported only for Dedicated Assignment Linked-Clone desktops.

Answer: B

QUESTION 26

Which virtual disk type should an administrator use to reclaim unused space in a Linked Clone?

- A. Thin Provisioned Disk
- B. SE Sparse Disk
- C. Monolithic Sparse Disk
- D. Flat Disk

Answer: B

QUESTION 27

Which two requirements must be met to enable use of the View Composer Array Integration feature? (Choose two.)

- A. A Full-Clone Desktop Pool
- B. A Linked-Clone Desktop Pool
- C. An NFS Array
- D. A VMFS Array

Answer: BC

QUESTION 28

Which storage component is considered only when calculating capacity for a Linked Clone?

- A. Growth
- B. .vswp
- C. Overhead
- D. User Data

Answer: A

QUESTION 29

An administrator experiences a system failure on the vCenter Server during a Linked-Clone recompose operation. Which two methods should the administrator use to resolve the unsuccessful recompose operation? (Choose two.)

- A. Select a new snapshot and then recompose once more.
- B. Delete the failed snapshot and then recompose once more.
- C. Delete the failed snapshot, create a new snapshot, and then recompose once more.
- D. Select the snapshot that was used in the last successful recomposition and then recompose once more.

Answer: AD

QUESTION 30

An administrator is creating a new Floating Assignment Linked-Clone pool. The pool will contain approximately 30 virtual machines based on a parent virtual machine with a 12GB disk and 100GB datastore. What is the lowest Storage Overcommit Level that will support this pool?

- A. None
- B. Conservative
- C. Moderate
- D. Aggressive

Answer: B

QUESTION 31

An administrator needs to create a full clone desktop pool and reduce storage costs by using the SEsparse disk feature. However, this option is not displayed in the Add Pool wizard. What is the likely reason that the administrator is prevented from enabling this option?

- A. SEsparse disks can be used only with linked-clone desktop pools.
- B. SEsparse disks are not supported with NFS storage.
- C. SEsparse disks are not supported by the storage vendor.
- D. SEsparse disks must be configured using PowerCLI.

Answer: A

QUESTION 32

An administrator is attempting to create a Windows 8 full clone desktop pool. The View Agent has been installed and a snapshot has been taken. However, the virtual machine is not listed during the Add Pool wizard. What is the likely cause of the issue?

- A. Windows 8 desktops are not supported with full clones desktop pools.
- B. Full clones desktop pools require virtual machine templates and not snapshots.
- C. The Add Pool wizard must be refreshed to list new snapshots.
- D. View Composer linked clones as selected instead of full virtual machines.

Answer: B

QUESTION 33

An administrator is creating a full clone desktop pool for 150 users. All of the desktops will be accessed at 9:00 a.m. on weekdays. The administrator needs to minimize the effect on storage performance during simultaneous desktop logins. What step can the administrator take to help meet the requirement?

- A. Enable View Storage Accelerator
- B. Enable Space Efficient Sparse Disks (SEsparse)
- C. Redirect disposable files to a non-persistent disk
- D. Select a separate datastore for the replica and OS disks

Answer: A

QUESTION 34

An administrator is creating a View full clone desktop pool and needs to enable the 3D Rendering feature. However, the option to select the 3D Renderer is unavailable. What should the administrator do to enable this feature to be selected?

- A. Set the default display protocol to RDP.
- B. Install the latest View Feature Pack.
- C. Enable the 3D Rendering option on the ESXi hosts.
- D. Set Allow users to choose protocol to No.

Answer: D

QUESTION 35

An organization has deployed View to the majority of its workforce. The organization also uses blade PCs for some users who need RDP access to high-powered workstations. The administrator needs to manage access to both environments through View. Which configuration steps should the administrator complete to enable access through View?

- A. Install the View Agent in each system and create a terminal services pool using the physical PCs as desktop sources.
- B. Install the View Agent in each system and create a manual pool using the physical PCs as desktop sources.
- C. Create a manual pool and enter the IP address of each physical desktop source.
- D. Create a terminal services pool and enter the IP address of each physical desktop source.

Answer: B

QUESTION 36

An administrator needs to increase the number of desktop resources in a dedicated assignment manual pool. This pool is made of unmanaged virtual machines. What should the administrator do?

- A. Create additional virtual machines and add them to the pool as desktop sources.
- B. Edit the pool settings to increase the minimum number of desktops.
- C. Change the vCenter Server settings in the pool to Provision on demand.
- D. Increase the number of available replica virtual machines in View Composer.

Answer: A

QUESTION 37

An administrator is deleting a manual pool that contains unmanaged desktop sources and selects the Leave active option. How will the administrator's action affect connections to the pool?

- A. Connections will remain active until the user logs off.
- B. Connections will be accepted until the desktop source is unregistered.
- C. Connections will remain active for the period of time specified by the administrator.

D. Connections will remain available until the next session state monitoring interval.

Answer: A

QUESTION 38

An administrator is configuring a Group Policy Object (GPO) for an Organizational Unit (OU) that contains virtual Windows 7 desktops. The administrator needs several user settings to apply only to users accessing desktops in this OU. After configuring the GPO, the administrator notices that the group policy user settings are not being applied. Why are the user settings not being applied?

- A. The Loopback processing GPO setting was not enabled on the Computers OU.
- B. The OU does not contain both User and Computer objects.
- C. The Windows 7 desktops were not restarted after GPO was configured.
- D. The user settings must also be applied to the default Users OU.

Answer: A

QUESTION 39

An administrator installed compatible physical GPUs in all ESXi hosts specified for a View desktop pool. The administrator needs to configure the desktop pool with Virtual Shared Graphics Acceleration (vSGA). Which virtual machine configuration should the administrator use to meet this requirement?

- A. Virtual machine hardware version 9 or later
- B. Video card > Auto-detect settings
- C. Video memory = 512MB
- D. Virtual machine hardware version 8 or later

Answer: A

QUESTION 40

An administrator is preparing a Windows 7 virtual machine for View and is reviewing Windows services as part of the optimization process. Which Windows service must the administrator ensure is started?

- A. Windows Firewall
- B. Disk Defragmenter
- C. Windows Defender
- D. Routing and Remote Access

Answer: A

QUESTION 41

An administrator is preparing a virtual machine guest OS for a View pool deployment. A security policy requires that non-VMware View Clients must not be able to connect directly to virtual desktops using RDP. Which configuration option should the administrator choose to meet the requirement?

- A. Set Allow users to choose protocol to No
- B. Set Default display protocol to PCoIP
- C. Set AllowDirectRDP to Disabled
- D. Set Default display protocol to RDP

Answer: C

QUESTION 42

An administrator is running a View Infrastructure with Linked Clones running on ESXi 5.x. Users should not be able to eject devices such as CD-ROMs from the virtual desktops. What should the administrator do on the vSphere Client to prevent users from ejecting devices?

- A. Right click on the parent image, and then in Edit Settings-->Options, disable Hot Add.
- B. Modify the parent image .vmx file, and set devices.hotplug to False.
- C. Modify the parent image .nvram file, and set devices.hotplug to False.
- D. Right click on the parent image and then in Edit Settings-->Hardware, disable Hot Plug.

Answer: B

QUESTION 43

An administrator is building a new View parent image to boot the operating system (OS) from an .ISO file that is loaded with the virtual machine's CD-ROM. When the virtual machine boots, the .ISO does not load and instead, attempts a PXE boot. What should the administrator verify the CD-ROM is set to in order to correct this issue?

- A. is set to Emulate IDE.
- B. is set to Connect at Power On.
- C. is set to Device Type - Client Device.
- D. is set to Device Type - Host Device.

Answer: B

QUESTION 44

An administrator is building a parent virtual machine for a View desktop pool and needs to enable users to log onto the virtual desktops. To which group should the administrator assign the users?

- A. Global Terminal Server Users group
- B. Local Remote Desktop Users group
- C. Local Terminal Server Users group
- D. Global Remote Desktop Users group

Answer: B

QUESTION 45

An administrator creates a new Application pool for Chrome on a Windows 2008 R2 SP1 pool. Users report that they cannot browse the Internet. What must the administrator do to enable Internet access for Chrome?

- A. Use vmxnet3 virtual device driver.
- B. Edit the parameters for Chrome to use --allow-no-sandbox-job.
- C. Use e1000e virtual device driver.
- D. Edit the parameters for Chrome to use --safe-browse-network.

Answer: B

QUESTION 46

If an application depends on explorer.exe, which option ensures the application will open inside of a RDS application pool?

- A. Set runonce.exe to execute at login with a GPO.
- B. Configure the application to run as Local System.
- C. Package the application with VMware ThinApp.
- D. Disable User Access Control on the server.

Answer: A

QUESTION 47

A recompose operation on a linked-clone pool has failed. An error on the pool indicates the Computer Account in Active Directory is missing, but a search for the account in Active Directory verifies that it is present. What condition would cause this error in View?

- A. The Computer Account has been moved out of the Organizational Unit in which it was created.
- B. The Quickprep domain user account has been moved to a different Organizational Unit.
- C. A new GPO has been applied to the Computer Account.
- D. The Quickprep domain user account does not have the Administrator role in View Administrator.

Answer: A

QUESTION 48

An administrator increases the number of virtual desktops in a desktop pool and finds that the provisioning task fails with an error. The error indicates that an Active Directory object already exists with the name of the virtual machine being created. After reviewing the error, the administrator checks the inventory of the pool and finds that there are two virtual machines with the same name in the inventory list. What is causing the issue?

- A. The naming pattern configured for the pool has been modified since the pool was created.
- B. The Computer Account in Active Directory was moved out of the Organization Unit in which it was created.
- C. An existing virtual machine with the same name was moved out of the desktop pool folder in vCenter Server.
- D. The Allow re-use of pre-existing computer accounts setting is selected in the pool settings.

Answer: C

QUESTION 49

An administrator creates a Windows 7 parent virtual machine for a linked-clone pool but finds that some of the virtual machines fail to customize. The administrator has confirmed that the View Agent is installed with the correct components. The virtual machines are configured with the following hardware specifications:

- 1 vCPU
- 4GB RAM
- VMXNET3 NIC
- 64MB Video RAM

What is causing the problem?

- A. The Receive Side Scaling (RSS) setting for the VMXNET3 driver is set to 2.
- B. Parent virtual machines for a linked-clone pool require a minimum of 2 vCPUs.
- C. The parent virtual machine does not have enough video RAM configured.
- D. The Microsoft Windows 7 patch for the VMXNET3 driver has not been installed.

Answer: D

QUESTION 50

An administrator is performing the post-installation configuration of Workspace Portal. While running the setup wizard, the administrator receives an error message. The error message appears during configuration of the Directory settings and indicates that the user account cannot be found. The administrator has confirmed the following:

- The user account exists in Active Directory.
- The user account has all of the required attributes.

What is causing the error?

- A. The user account is located below the Base DN.
- B. The user account has not been entered into the Global Catalog.
- C. The user account is located above the Base DN.
- D. The user account name is too long.

Answer: C

QUESTION 51

An administrator has asked the help desk to reset a virtual desktop in newly created Desktop Pool B. The help desk user logs in to the View Administrator, but only the previously existing Desktop Pool A is available. What is causing this issue?

- A. Help desk user accounts can only be assigned to a single pool at a time.
- B. The help desk user's account does not have the appropriate permissions in vCenter Server.
- C. The help desk user cannot see Desktop Pool B because provisioning is disabled on the pool.
- D. The help desk user's account has only been granted privileges to see Desktop Pool A.

Answer: D

QUESTION 52

An administrator is adding a new desktop pool for a business unit that has recently started using Virtual Desktops. A new Organizational Unit (OU) has been created beside the original OU. During provisioning of this new pool, the administrator receives an error message stating that creation of the computer accounts failed. The same View Composer domain account is being used for the existing pool and the new pool. The existing View Composer domain account is still functioning correctly for the original desktop pool. What is causing the failure to create the computer accounts?

- A. The Parent virtual machine being used for the pool has not been enabled for use in the new OU.
- B. The new OU does not have the correct View-specific GPO settings applied.
- C. The existing domain account is being used by the original OU and is locked for use on the new OU.
- D. The new OU does not have the correct permissions applied for the View Composer domain account.

Answer: D

QUESTION 53

An administrator is configuring Kiosk mode in View. The administrator completes the following tasks:

- Verifies that clients on the Windows machines that are being used can connect with a normal username and password.
- Creates accounts with appropriate Active Directory attributes for the machines that will operate as kiosks.

When the clients are tested, they do not automatically log in after connecting to the Connection Server. What is causing this issue?

- A. The Kiosk mode user account was not added to the Connection Server to which the client is connecting.
- B. The Connection Server to which the client is connecting has not been enabled for Kiosk mode clients.
- C. The Kiosk mode user account was created in the wrong Organizational Unit.
- D. The View Client machine has not been enabled for Kiosk mode using the client registry settings.

Answer: B

QUESTION 54

An administrator is deploying a pool of virtual desktops and receives the following message when testing a desktop connection from a View Client machine: The Desktop Currently Has No Desktop Sources Available. The administrator has confirmed that:

- The desktops are built and are visible in the View Administrator console.
- The desktops display a Agent Unreachable status in the View Administrator.

After logging in to the vCenter Server, what should the administrator ensure to troubleshoot the issue?

- A. The virtual desktops are powered on.
- B. There are no Memory reservations.
- C. There are no CPU reservations.
- D. The View Composer service is running.

Answer: A

QUESTION 55

During the process of pairing a View security server, the administrator aborts the operation and attempts to run the pairing process again. The security server status displayed in the View Administrator dashboard is down, and remote users receive the following message when attempting to connect: The View Connection Server authentication failed. No gateway is available to provide a secure connection to a desktop. Contact your network Administrator. What should the administrator do to resolve the issue?

- A. In the View Connection Server instance click More Commands>Specify a Security Server Pairing Password then enter a new password and install the security server again.
- B. Run `vdadmin -S security_server_name` and then install the security server again.
- C. In the View Connection Server instance click More Commands>Specify a Security Server Pairing Passwords then enter a password and restart the View Connection Server service.
- D. Run `vdadmin -S security_server_name` and restart the View Connection Server service.

Answer: A

QUESTION 56

An organization has a View deployment with a Dedicated Full Clone Pool of Windows 7 desktops. Users connect to the desktops using a Zero Client with firmware 4.1.2. Periodically, the desktops display a black screen after inactivity or after they go to sleep mode. The View Connection Manager indicates the desktops are Connected. An administrator finds the following PCoIP log messages:

```
<Date, Time> LVL:0 RC:0 SERVER==> WindowProC. Detected WM_DISPLAYCHANGE event (1900x1200)
```

and

```
<Date,Time>LVL:2 RC. 0 IMG_FRONTEND:DisplayDevice[0] states - DISPLAY_DEVICE_ATTACHED_TO_DESKTOP DISPLAY_DEVICE_ACTIVE
```

What should the administrator do to resolve the issue?

- A. Configure the virtual desktop power management option Turn Off Display to Never.
- B. Configure the virtual desktop power management option Sleep to Never.
- C. Configure the virtual desktop power management option Turn Off Hard Disk to Never.
- D. Configure the virtual desktop power management option PCI Express Link State Power Management to Off.

Answer: A

QUESTION 57

Refer to the Exhibit. An organization has deployed a View environment containing 200 virtual desktops. Users report that the virtual desktops are not performing well during certain times of the day. An administrator analyzes a performance chart for the View infrastructure, as shown. The administrator needs to resolve the problem without affecting the users' productivity.



What step can the administrator take to improve performance with the least amount of impact on the users?

- A. In the View Administrator console, create additional pools and move some desktops to the new pool.
- B. In the View Administrator console, enable the Storage Optimization option Select separate datastores for replica and OS disk.
- C. In the View Administrator console, add additional Datastores to the View cluster.
- D. In the View Administrator console, enable View Storage Accelerator.

Answer: D

QUESTION 58

Refer to the Exhibit. An administrator recently updated a linked-clone desktop pool with optimizations to improve performance. After the desktop pool is recomposed, users are unable to connect to their client printers. The administrator examines the services on the desktop, as shown in the exhibit.

User Profile Service	This service ...	Started	Automatic	Local Syste...
vCenter Operations for View Agent	This service ...	Started	Automatic	Local Syste...
VMware Blast	Provides HT...	Started	Automatic	Local Syste...
VMware Tools Service	Provides su...	Started	Automatic	Local Syste...
VMware USB Arbitration Service	Arbitration ...	Started	Automatic	Local Syste...
VMware View Agent	Provides Vie...	Started	Automatic	Local Syste...
VMware View Composer Guest Agent Server	Provides V...	Started	Automatic	Local Syste...
VMware View Persona Management	This service ...	Started	Automatic	Local Syste...
Windows Audio	Manages au...	Started	Automatic	Local Service
Windows Audio Endpoint Builder	Manages au...	Started	Automatic	Local Syste...
Windows Event Log	This service ...	Started	Automatic	Local Service
Windows Firewall	Windows Fi...	Started	Automatic	Local Service
Windows Font Cache Service	Optimizes p...	Started	Automatic	Local Service
Windows Management Instrumentation	Provides a c...	Started	Automatic	Local Syste...
Workstation	Creates and...	Started	Automatic	Network S...
Microsoft .NET Framework NGEN v4.0.30319_X86	Microsoft ...		Automatic (D...	Local Syste...
Software Protection	Enables the ...		Automatic (D...	Network S...
Windows Search	Provides co...	Started	Automatic (D...	Local Syste...
TP AutoConnect Service	ThinPrint .p...		Disabled	Local Syste...
BitLocker Drive Encryption Service	BDESVC hos...		Disabled	Local Syste...
Block Level Backup Engine Service	The WBENG...		Disabled	Local Syste...
Desktop Window Manager Session Manager	Provides De...		Disabled	Local Syste...
Disk Defragmenter	Provides Dis...		Disabled	Local Syste...

Based on the exhibit, which Windows service is causing the client printers to fail to connect to virtual desktops?

- A. Desktop Window Manager Session Manager
- B. VMware USB Arbitration Service
- C. TP AutoConnect Service
- D. Windows Firewall

Answer: C

QUESTION 59

A potential Branch Reflector has ample disk space to store base layers, application layers, driver libraries, and User State Migration Tool (USMT) files. Which other conditions are required for an endpoint to become a Branch Reflector?

- A. Power-saving features enabled
Directly connected to the LAN
TCP port 8001 to support connections from other Mirage endpoints
- B. Power-saving features disabled
Directly connected to the LAN
TCP port 8001 to support connections from other Mirage endpoints
- C. Power-saving features disabled
Directly connected to the WAN
TCP port 8000 to support connections from other Mirage endpoints
- D. Power-saving features enabled
Directly connected to the wireless network
TCP port 8001 to support connections from other Mirage endpoints

Answer: B

QUESTION 60

An administrator enables the Block Storage Volume option in order to prevent a storage volume from reaching full capacity. Which two statements describe the volume's functionality once this option is enabled? (Choose two.)

- A. New Centralized Virtual Desktops (CVDs) will not be able to be centralized to the volume.
- B. New base layers will be able to be centralized to the volume.
- C. Existing Centralized Virtual Desktops (CVDs) and base layers will continue to function as expected.
- D. Existing base layers on the volume will not be able to be moved to other volumes.

Answer: AC

QUESTION 61

Which two commands will allow export and import of the Minimal Restore Set? (Choose two.)

- A. addMinimalSet C:\minimalset.xml
- B. exportMinimalSet C:\minimalset.xml
- C. getMinimalSet C:\minimalset.xml
- D. removeMinimalSet C:\minimalset.xml

Answer: AC

QUESTION 62

An organization has the following desktops:

- 100 Windows XP SP3 physical desktops
- 25 Windows 7 32-bit desktops
- 25 Windows 7 64-bit desktops

The organization has mandated that all existing desktops are backed up and then migrated to Windows 7. An administrator has already performed the following tasks:

- Configured User State Migration Tool (USMT)
- Performed desktop centralization of all the Windows XP SP3 desktops
- Performed desktop centralization of all the Windows 7 32-bit desktops
- Captured Base Windows 7 32-bit OS layer
- Created Office 2010 App Layer

What must the administrator do next to fulfill the stated requirements?

- A. Capture Base Windows 7 64-bit OS layer
- B. Deploy Windows 7 32-bit Centralized Virtual Desktop (CVD) to all Windows 7 desktops
- C. Create Office 2013 App Layer
- D. Perform desktop centralization of all the Windows 7 64-bit desktops

Answer: D

QUESTION 63

An administrator has built a Centralized Virtual Desktop (CVD) using the Mirage default CVD policy, but finds that the D. drive on all users' machines are not centralized correctly. Which changes should the administrator make to include the additional volume?

- A. Create a new Upload policy that includes the D. drive in backup and restore.
- B. Add a Protected Volume in the Upload policy.

- C. Modify the CVD to include all system drives.
- D. Add %ANYVOLUME% to the User Area of the Upload policy.

Answer: B

QUESTION 64

An administrator is planning the capture of a reference machine for two departments: Finance and Information Technology. Which two applications should the administrator include in the common base layer? (Choose two.)

- A. Finance Accounting Application
- B. Anti-Virus software
- C. Admin Script Editor
- D. VPN Software

Answer: BD

QUESTION 65

An administrator needs to prevent specific application-related setting files from being overwritten during a base layer update. What should the administrator do?

- A. Use Base Layer Override Policy to exclude application configuration files if they exist.
- B. Use Upload Policy to exclude application configuration files in the User Area section of the policy.
- C. Use Base Layer rules to exclude files from being deployed to workstations.
- D. Use Upload Policy to exclude application configuration files in the Unprotected Area of the policy.

Answer: A

QUESTION 66

Several users within a corporation installed a team collaboration utility onto their Mirage-managed systems. The systems became erratic, so they uninstalled the application, but the problem remained. An administrator needs to repair the users' systems and ensure they are compliant with the corporate image. All user profile data must remain intact. What should the administrator do?

- A. Revert to Snapshot with Restore System Only option selected.
- B. Enforce All Layers with the Preserve user applications option selected.
- C. Revert to Snapshot without Restore System Only option selected.
- D. Enforce All Layers with the Remove user applications option selected.

Answer: D

QUESTION 67

After creating an Upload policy for a group of users, an administrator has found a significant increase in storage usage by Mirage. After further investigation, the administrator finds that the increase is a result of users storing personal MP3 libraries on the system. What should the administrator do to prevent these files from being protected while allowing the users to store the files on the system?

- A. Add a Rule to the User Area for MP3 files in the Upload policy.
- B. Create a Collection labeled Exclude MP3s.
- C. Add a Rule Exception to the Unprotected Area for MP3 files in the Upload policy.
- D. Add a Rule to the Unprotected Area for MP3 files in the Upload policy.

Answer: A

QUESTION 68

In which interface component should an administrator set up an external Oracle database for Workspace Portal?

- A. Configurator Database setup page
- B. Configurator Database connection page
- C. Connector Database setup page
- D. Connector Database connection page

Answer: B

QUESTION 69

In addition to the default user attributes, which specific Active Directory attribute is required for integrating View with Workspace Portal?

- A. User Distinguished Name
- B. SAMAccountName
- C. SAMAccountType
- D. User Principal Name

Answer: D

QUESTION 70

Several users spanning multiple Active Directory groups have been assigned to a special project and need access to a set of applications. An administrator needs to create a group to manage these users in Workspace Portal but does not have access to Active Directory to create a new group there. What should the administrator do?

- A. Edit the Directory Sync rules to create a filter group.
- B. Create a new Connector virtual appliance and sync only the selected users.
- C. Create a group in Workspace Portal and assign the users to this group.
- D. Create a group in the Configurator virtual appliance console and add the users to this group.

Answer: C

QUESTION 71

An administrator has completed an integration of View with Workspace Portal. The administrator added new pools and entitlements in View Administrator. However, the new pools are not displaying in Workspace Portal. The administrator must ensure updates to View are regularly reflected in the Workspace Portal administrator console. What should the administrator do?

- A. Enable/Click on Sync Now.
- B. Enable SAML Authentication.
- C. Set the synchronization frequency appropriately.
- D. Set the update frequency appropriately.

Answer: C

QUESTION 72

Which two statements are true regarding configuring an Identity Provider Instance within Workspace Portal? (Choose two.)

- A. The Configure Via option is only available when you add a third-party identity provider instance.
- B. Third-party Identity Provider Instances must be SAML 2.0 compliant.
- C. Workspace Portal natively supports Kerberos, RSA SecurID, and Smart-card authentication types.
- D. The Meta-data XML enables Workspace Portal to automatically receive the metadata of the Third-Party Identity Provider Instance.

Answer: AB

QUESTION 73

An administrator has provisioned a web application to a group of users. Users have reported that the application is not visible in the Applications tab when the user launches Workspace Portal. Which steps must the administrator take to ensure the application is entitled properly?

- A. Verify that the application is SAML-enabled.
Verify that the application is entitled to a directory service-based Workspace Portal group or user.
- B. Verify that the application is set to Automatic.
Verify that the application is entitled to a directory service-based Workspace Portal group or user.
- C. Verify that the application is set to User-Activated.
Verify that the application is entitled to a local Workspace Portal group or user.
- D. Verify that the Workspace Portal client is installed on the endpoint.
Verify that the application is entitled to a local Workspace Portal group or user.

Answer: B

QUESTION 74

An administrator has enabled ThinApp integration for Workspace Portal and needs to ensure applications are streamed from a network file share. The administrator has enabled the ThinApp module in Workspace Portal and configured the ThinApp repository. Which additional steps does the administrator need to take to enable ThinApp application streaming using Workspace Portal?

- A. Use Command Line Option when installing the Workspace Portal Client on Mac devices.
Ensure ThinApp packages are enabled for Workspace Portal.
- B. Use Command Line Option when installing the Workspace Portal Client on Windows devices.
Ensure ThinApp packages are enabled for Workspace Portal.
- C. Use Command Line Option when installing the Workspace Portal Client on Windows devices.
Set MSISstreaming=0 in the ThinApp package.ini file.
- D. Use Command Line Option when installing the Workspace Portal Client on Mac devices.
Set MSISstreaming=1 in the ThinApp package.ini file.

Answer: B

QUESTION 75

An administrator needs to deliver corporate virtual desktops to end users globally. Currently, users traveling between branch offices complain of slow access at certain locations. Which VMware Horizon technology will provide a high quality end user experience, regardless of the user's location?

- A. VMware Horizon Cloud Pod Architecture
- B. VMware vRealize Operations for Horizon 6
- C. VMware Workspace

D. VMware Blast with HTML Access

Answer: C

QUESTION 76

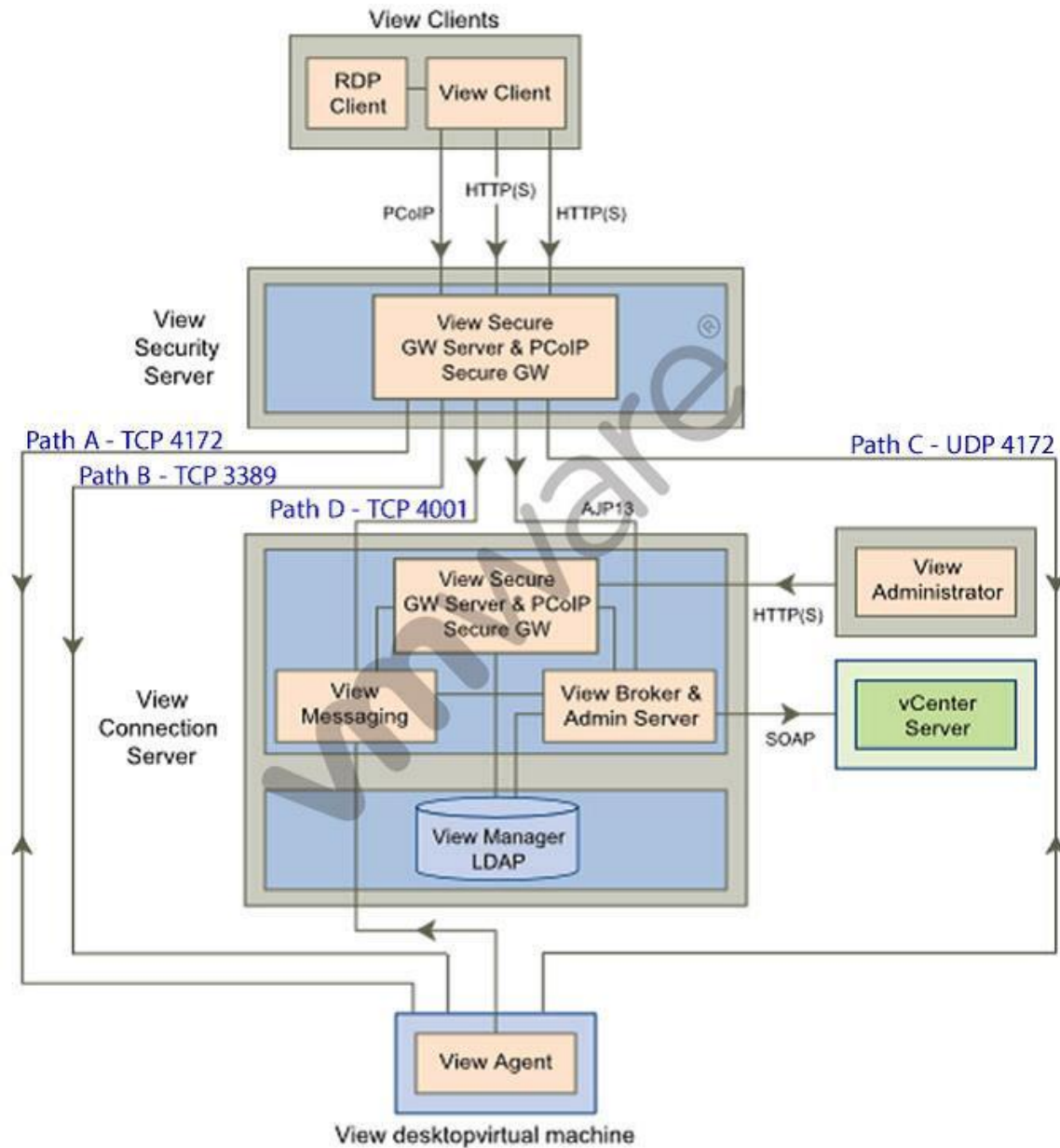
A company has engaged a consultant to configure a way to provide a generic virtual desktop to users as they login. Users will not save data to their desktop and all client data is redirected through Group Policy Objects. Which Horizon (with View) feature will accomplish this request?

- A. Full Clones
- B. Dedicated pools
- C. Floating pools
- D. Linked Clones

Answer: B

QUESTION 77

Refer to the Exhibit. Based on the exhibit, which pathway is used for RDP traffic?

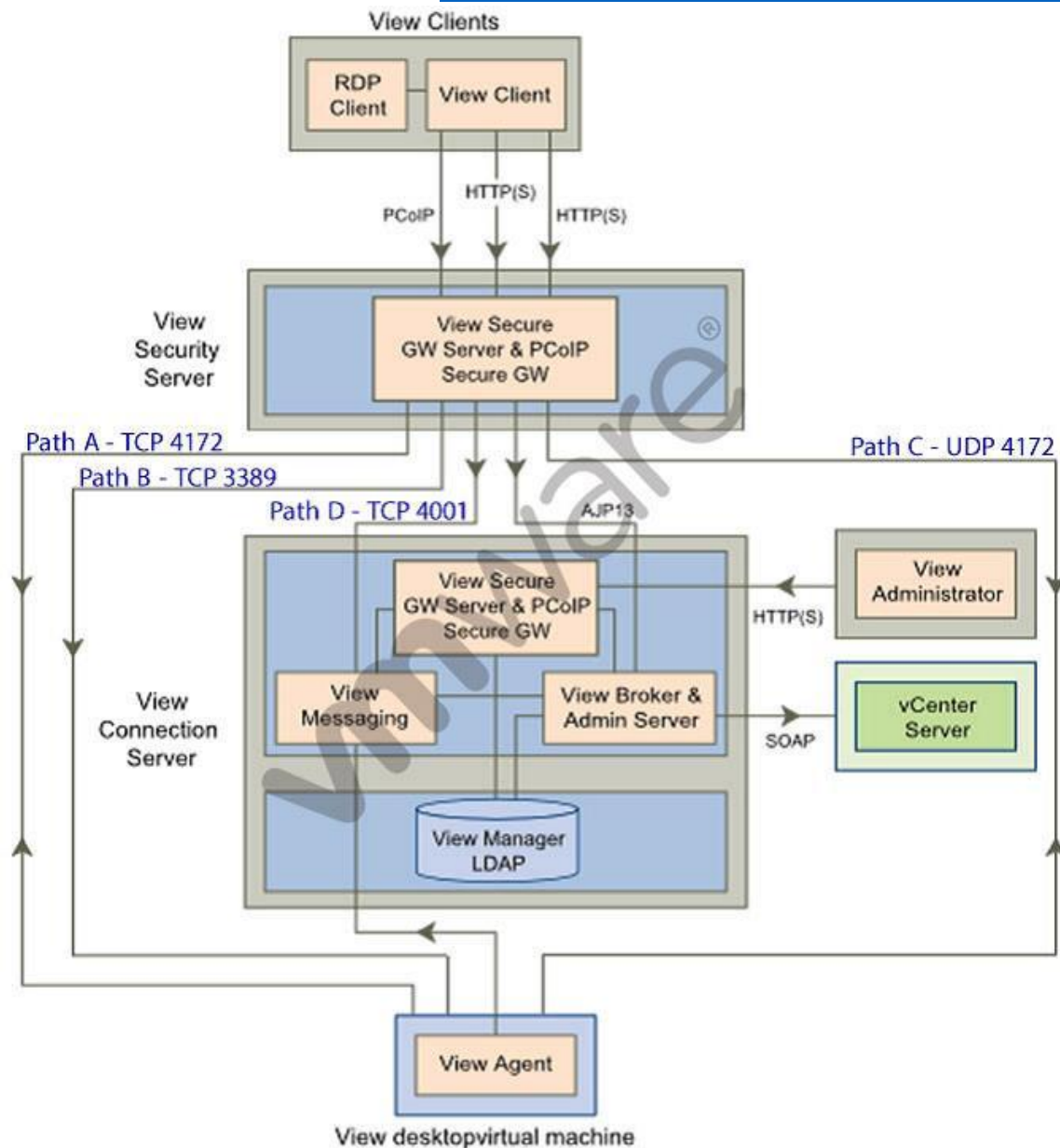


- A. Path A
- B. Path B
- C. Path C
- D. Path D

Answer: B

QUESTION 78

Refer to the Exhibit. Based on the exhibit, which two paths are used for PCoIP traffic? (Choose two.)



- A. Path A
- B. Path B
- C. Path C
- D. Path D

Answer: AC

QUESTION 79

An administrator needs to ensure that the Horizon View environment accounts for single points of failure. Which type of server should the administrator install in addition to the Horizon View Connection server?

- A. vCenter Operations for Horizon server

- B. Security server
- C. Replica server
- D. Mirage server

Answer: C

QUESTION 80

An administrator needs to provide access to applications for users regardless of whether the users have network access. Which two VMware components should the administrator choose? (Choose two.)

- A. VMware Workspace
- B. VMware ThinApp
- C. VMware Horizon View
- D. VMware Mirage

Answer: BD

QUESTION 81

An administrator needs to create 1000 virtual machines with minimal shared disk space. Additionally, the administrator needs to be able to update the images while ensuring that the users' information is managed in a central location. Which VMware components should be used to meet the requirements?

- A. VMware Horizon View with Persona Management
- B. VMware Horizon View with vSphere Data Protection
- C. VMware Workspace with vSphere Data Protection
- D. VMware Workspace with Persona Management

Answer: A

QUESTION 82

What two prerequisites must be met before View Composer can be installed? (Choose two.)

- A. No other application on the View Composer server should use Windows SSLv2 libraries.
- B. A domain user account with Administrator privileges on the system must be used.
- C. No other application on the View Composer server should use OpenSSLv2 libraries.
- D. A local user account with Administrator privileges on the system must be used.

Answer: AB

QUESTION 83

An administrator needs to install View Composer. The current environment uses a vCenter Server appliance and four ESXi hosts. Which two steps should the administrator take to complete the installation? (Choose two.)

- A. Log in using a domain user account with local Administrator privileges.
- B. Install the View Composer server on the vCenter Server.
- C. Log in using Administrator@vsphere.local.
- D. Install the View Composer server on a standalone Windows server.

Answer: AD

QUESTION 84

A company is planning to use the Horizon 6 product suite to transform the end user computing environment in the organization. Which two statements represent capabilities of the Horizon 6 family of products can help the company fully transform their environment? (Choose two.)

- A. VMware Virtual SAN provides a centralized management console for administrators to manage end user document workspaces.
- B. VMware ThinApp is a remote desktop solution that will allow you to move all desktops to central location.
- C. VMware Mirage is a centralized desktop image management technology that supports layered image management.
- D. VMware Horizon (with View) virtualizes user operating systems, applications and user data.

Answer: CD

QUESTION 85

An administrator is performing a silent installation of a View Connection Server and needs to ensure that the firewall settings are enabled during the install. Which parameter should the administrator use?

- A. FWCHOICE=0
- B. FWCHOICE=1
- C. FW_SET=0
- D. FW_SET=1

Answer: B

QUESTION 86

An administrator is installing View Connection server and stops at the Authorize a View Administrators account step. Which user or group is the default suggestion at this stage?

- A. The Domain Admins group
- B. The local user performing the install
- C. The local Administrators group
- D. The domain user performing the install

Answer: D

QUESTION 87

An administrator has installed a View security server and needs to verify that the installation was successful. In addition to the security server, which three services should be installed? (Choose three.)

- A. VMware View Framework
- B. VMware View Security Framework
- C. VMware View PCoIP Secure Gateway
- D. VMware View Security Gateway
- E. VMware View Framework Gateway

Answer: ACD

QUESTION 88

An administrator is performing a silent installation of a security server and needs to ensure that clients can remotely access their desktops using View's default protocol. Which parameter should the administrator use?

- A. VDM_SERVER_SS_BSG_EXTURL
- B. VDM_SERVER_SS_EXTURL
- C. VDM_SERVER_SS_PCOIP_IPADDR
- D. VDM_SERVER_SS_PCOIP_TCPPOINT

Answer: C

QUESTION 89

An administrator has installed View and needs to configure the PCoIP settings via a Group Policy Object (GPO). What should the administrator do first?

- A. Create a GPO and apply the required policy settings.
- B. Add pcoip.adm to the Administrative Templates on a View Connection server.
- C. Link the GPO to the Organizational Unit (OU) that contains the virtual desktops.
- D. Add pcoip.adm to the Administrative Templates on an Active Directory server.

Answer: D

QUESTION 90

An administrator needs to provide access to a View virtual desktop for users in Domain A and Domain B. How should the administrator configure the domains and the View implementation?

- A. Install a View Connection Server in a resource domain and create a one-way trust to both Domain A and Domain B.
- B. Install a View Connection Server in Domain A and create a one-way trust to Domain B.
- C. Install a View Connection Server in Domain A and create a two-way trust between Domain A and Domain B.
- D. Install a View Connection Server in a resource domain and create a two-way transitive trust between Domain A and Domain B.

Answer: C

QUESTION 91

An administrator is granted access to a vCenter Server with a custom Active Directory user account. The user account should have the required permissions for full management of the View environment. However, when the administrator attempts to enable View Storage Accelerator, permission is denied. Which View privilege within vCenter Server needs to be configured?

- A. Storage Views > View
- B. Global > Act as vCenter Server
- C. Host.Configuration > Advanced settings
- D. Virtual Machine.Configuration > Modify device settings

Answer: B

QUESTION 92

An organization has deployed a View environment. Users need to connect USB devices to their View sessions.

- All client endpoints are Windows 7 thin clients.

- A firewall is in place through which all network traffic flows.
- All Windows patches are up to date on guest virtual machines and endpoints.

Users report that USB devices are not connecting to the View sessions when they are plugged in to the thin clients. What are two reasons that could cause this behavior? (Choose two.)

- A. TCP port 9427 is closed on the firewall.
- B. TCP port 32111 is closed on the firewall.
- C. Windows Mobile Device Center is preventing USB redirection.
- D. USB redirection drivers on the guest virtual machine are missing or disabled.

Answer: BD

QUESTION 93

An administrator needs to install a legacy application to a Dedicated Full Clone Pool inside of View. A ThinApp package is successfully created and assigned to the pool. The ThinApp application status on the virtual desktops remains at Pending. Rebooting a desktop fails to resolve the issue. Which two steps should the administrator take to determine the cause of the problem? (Choose two.)

- A. Verify that the folder or share containing the ThinApp packages has the appropriate permissions set.
- B. Verify that the application package is an executable (.exe).
- C. Verify that the application was not already installed on the virtual desktop.
- D. Verify that there is enough disk space on the virtual desktop.

Answer: CD

QUESTION 94

While deploying a View desktop pool, an administrator determines that the virtual desktops remain at a status of Customizing. In the debug-timestamp.txt log file of the View Agent, the administrator finds the error message:

```
Debug - Unable to connect to JMS
Server.com.vmware.vdi.agent.messageserver.Jmsmanager.a(SourceFile:238)
javax.jms.JMSEException:Unable to create a connection to:[ServerEntry,
hostname, port=4001]
```

What should the administrator do to troubleshoot the connection problem?

- A. Verify that the View Composer Guest Agent Server service is set Started on the virtual desktops.
- B. Verify that the View Agent can communicate with the View Connection Server over port 4001.
- C. Verify that the View Connection Server can resolve the DNS name of the vCenter Server.
- D. Verify that the View Security Server can establish a connection using the AJP13 protocol over port 4001.

Answer: B

QUESTION 95

An administrator deployed a linked-clone pool with virtual desktops running Windows XP for a branch office. The Active Directory server supporting the office is a Windows Server 2008 Read Only Domain Controller (RODC). The administrator makes the following changes to Sysprep:

- Join the Domain
- Use the Virtual Machine name for the NetBIOS name

When the administrator attempts to provision the desktops using View Composer, the following error message is displayed:

```
View Composer agent initialization state error (18): Failed to join the
```

domain (waited 565 seconds)

What should the administrator do to provision the virtual desktops?

- A. Configure the desktop pool to use Quickprep instead of Sysprep to provision the Linked Clones.
- B. Log in to the parent virtual machine and apply the RODC compatibility update for XP. Take a new snapshot and recompose the pool.
- C. Configure the virtual desktops to synchronize time from another domain controller that is available on the network.
- D. Log in to the parent virtual machine and reinstall the View Agent. Take a new snapshot and recompose the pool.

Answer: B

QUESTION 96

Users at a branch office are experiencing poor virtual desktop performance. The branch office has ten users and a 2Mbps link to the datacenter. Some of the users frequently access video content, but the performance issues began occurring after a recent Group Policy Object (GPO) change. The performance issues do not occur when the same users connect from the main office, which has a 10Mbps link to the data center. Which PCoIP GPO change is most likely the cause of the performance issues?

- A. Turn off Build-to-Lossless = Enabled
- B. PCoIP session audio bandwidth limit = 100kbps
- C. PCoIP client image cache size = 260MB
- D. Maximum PCoIP session bandwidth = 4Mbps

Answer: D

QUESTION 97

An administrator has set the default display protocol for a desktop to PCoIP to support 1080p quality video on the LAN. Group Policy Object (GPO) settings are applied to the virtual desktops to enforce the following settings:

- PCoIP session bandwidth floor = 0
- Enable Build to Lossless = Enabled
- PCoIP Maximum Frame Rate = 20
- Minimum Initial Image Quality = 90

Which configuration option is responsible for users reporting that video playback is choppy?

- A. PCoIP session bandwidth floor
- B. Enable Build to Lossless
- C. Minimum Initial Image Quality
- D. PCoIP Maximum Frame Rate

Answer: D

QUESTION 98

Users report poor performance over a wide area network. Ten users share a 5Mbps link for this site. The administrator suspects a PCoIP configuration issue and locates the following PCoIP configuration settings:

- Turn off Build-to-Lossless feature = Enabled
- PCoIP Session Bandwidth Floor = 1000
- Maximum Frame Rate = 24
- PCoIP Client Image Cache Size Policy = 250

Which setting is likely causing the performance issue?

- A. Turn off Build-to-Lossless feature = Enabled
- B. PCoIP Session Bandwidth Floor = 1000
- C. Maximum Frame Rate = 24
- D. PCoIP Client Image Cache Size Policy = 250

Answer: B

QUESTION 99

An administrator identifies PCoIP packet fragmentation on the network. The following items have been discovered:

- Network Path Maximum Transmission Unit (MTU) is 1200
- PCoIP Traffic has Quality of Service (QoS)

What should the administrator do?

- A. Set router buffers to tail drop
- B. Set router buffers to Weighted Random Early Detection (WRED)
- C. Set PCoIP MTU to 1500
- D. Set PCoIP MTU to 1100

Answer: D

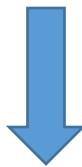
QUESTION 100

An administrator needs to view Windows 7 Virtual Desktops from the vSphere Console while a user has a PCoIP session to the Virtual Desktop. When the administrator opens a vSphere Console to a Virtual Desktop, the Console screen is black. The administrator enables the Session Variable Enable access to a PCoIP session from a vSphere console. After this change, a black screen still appears when the administrator opens a vSphere Console to the Virtual Desktops. What is preventing the Virtual Desktop from showing in the vSphere Console?

- A. The Virtual Desktop Hardware Version is 7.
- B. The Virtual Desktop Hardware Version is 8.
- C. The Virtual Desktop Hardware Version is 9.
- D. The Virtual Desktop Hardware Version is 10.

Answer:

Get Complete Version Exam 2V0-651 Dumps with VCE and PDF Here



<https://www.passleader.com/2v0-651.html>