

New 2V0-651 Dumps with VCE and PDF from PassLeader (Question 73 - Question 81)

100% valid 2V0-651 exam questions from PassLeader 2V0-651 dumps! Welcome to download the newest & 100% pass guarantee PassLeader 2V0-651 VCE and PDF dumps: <http://www.passleader.com/2v0-651.html> (125 Q&As)

P.S. Free & New 2V0-651 dumps are available on Google Drive shared by PassLeader:

https://drive.google.com/open?id=0B-ob6L_QjGLpSmt2SEhUR2I1U1U

QUESTION 73

An administrator has provisioned a web application to a group of users. Users have reported that the application is not visible in the Applications tab when the user launches Workspace Portal. Which steps must the administrator take to ensure the application is entitled properly?

A. Verify that the application is SAML-enabled.

Verify that the application is entitled to a directory service-based Workspace Portal group or user.

B. Verify that the application is set to Automatic.

Verify that the application is entitled to a directory service-based Workspace Portal group or user.

C. Verify that the application is set to User-Activated.

Verify that the application is entitled to a local Workspace Portal group or user.

D. Verify that the Workspace Portal client is installed on the endpoint.

Verify that the application is entitled to a local Workspace Portal group or user.

Answer: B

QUESTION 74

An administrator has enabled ThinApp integration for Workspace Portal and needs to ensure applications are streamed from a network file share. The administrator has enabled the ThinApp module in Workspace Portal and configured the ThinApp repository. Which additional steps does the administrator need to take to enable ThinApp application streaming using Workspace Portal?

A. Use Command Line Option when installing the Workspace Portal Client on Mac devices.

Ensure ThinApp packages are enabled for Workspace Portal.

B. Use Command Line Option when installing the Workspace Portal Client on Windows devices.

Ensure ThinApp packages are enabled for Workspace Portal.

C. Use Command Line Option when installing the Workspace Portal Client on Windows devices.

Set MSISstreaming=0 in the ThinApp package.ini file.

D. Use Command Line Option when installing the Workspace Portal Client on Mac devices.

Set MSISstreaming=1 in the ThinApp package.ini file.

Answer: B

QUESTION 75

An administrator needs to deliver corporate virtual desktops to end users globally. Currently, users traveling between branch offices complain or slow access at certain locations. Which VMware Horizon technology will provide a high quality end user experience, regardless of the user's location?

A. VMware Horizon Cloud Pod Architecture

B. VMware vRealize Operations for Horizon 6

C. VMware Workspace

D. VMware Blast with HTML Access

Answer: C

QUESTION 76

A company has engaged a consultant to configure a way to provide a generic virtual desktop to users as they login. Users will not save data to their desktop and all client data is redirected through Group Policy Objects. Which Horizon (with View) feature will accomplish this request?

A. Full Clones

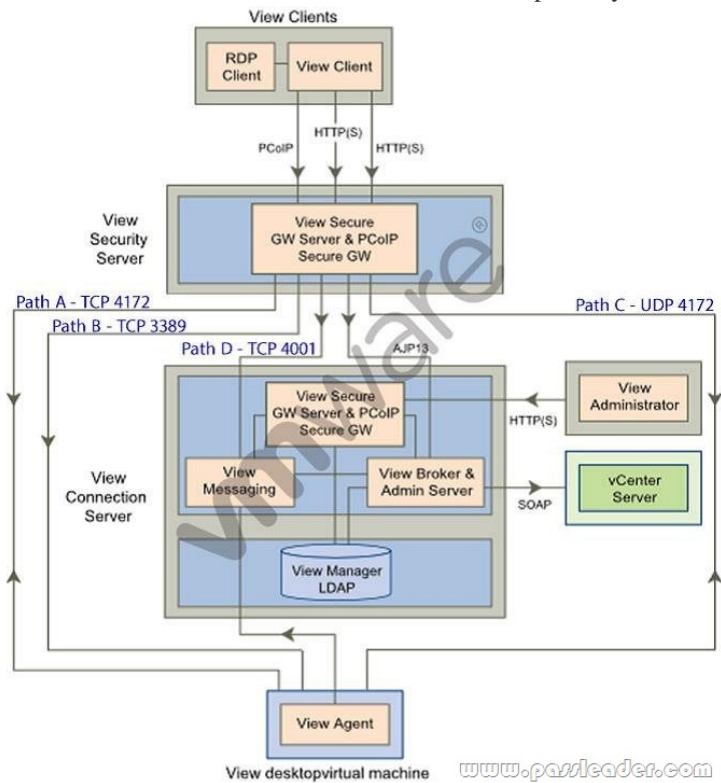
B. Dedicated pools

- C. Floating pools
- D. Linked Clones

Answer: B

QUESTION 77

Refer to the Exhibit. Based on the exhibit, which pathway is used for RDP traffic?

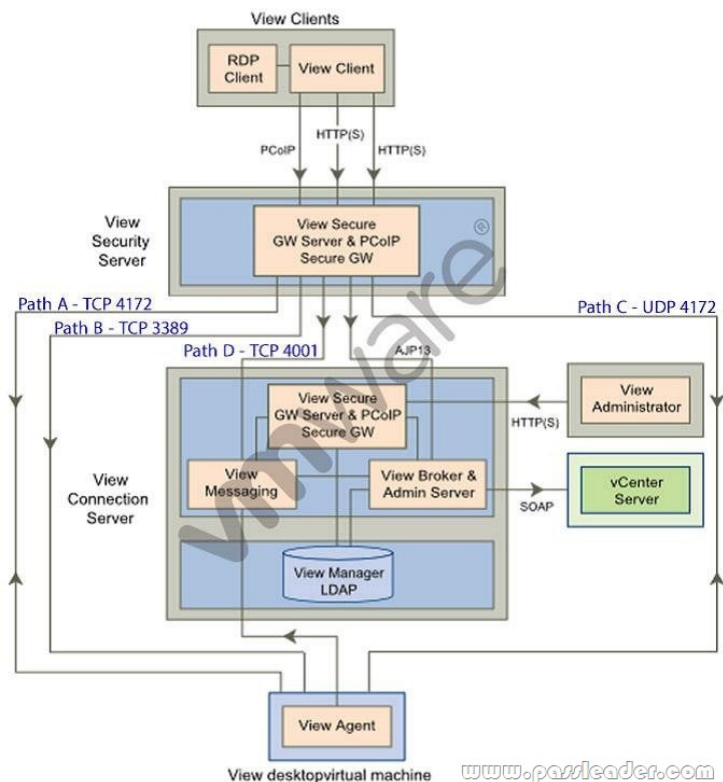


- A. Path A
- B. Path B
- C. Path C
- D. Path D

Answer: B

QUESTION 78

Refer to the Exhibit. Based on the exhibit, which two paths are used for PCoIP traffic? (Choose two.)



- A. Path A
- B. Path B
- C. Path C
- D. Path D

Answer: AC

QUESTION 79

An administrator needs to ensure that the Horizon View environment accounts for single points of failure. Which type of server should the administrator install in addition to the Horizon View Connection server?

- A. vCenter Operations for Horizon server
- B. Security server
- C. Replica server
- D. Mirage server

Answer: C

QUESTION 80

An administrator needs to provide access to applications for users regardless of whether the users have network access. Which two VMware components should the administrator choose? (Choose two.)

- A. VMware Workspace
- B. VMware ThinApp
- C. VMware Horizon View
- D. VMware Mirage

Answer: BD

QUESTION 81

An administrator needs to create 1000 virtual machines with minimal shared disk space. Additionally, the administrator needs to be able to update the images while ensuring that the users' information is managed in a central location. Which VMware components should be used to meet the requirements?

- A. VMware Horizon View with Persona Management
- B. VMware Horizon View with vSphere Data Protection

- C. VMware Workspace with vSphere Data Protection
- D. VMware Workspace with Persona Management

Answer: A

100% valid 2V0-651 exam questions from PassLeader 2V0-651 dumps! Welcome to download the newest & 100% pass guarantee
PassLeader 2V0-651 VCE and PDF dumps: <http://www.passleader.com/2v0-651.html> (125 Q&As)

P.S. Free & New 2V0-651 dumps are available on Google Drive shared by PassLeader:

https://drive.google.com/open?id=0B-ob6L_QjGLpSmt2SEhUR2I1U1U